



STROM
www.stromexport.com

Servis tel.: +420 724085534

Servis e-mail: jurnicek@stromc.cz

Servis fax: +420 461311330

Lohenická 607

19017 Praha 9 - Vinoř

Czech republic

Prodej tel.: +420 283092521

Prodej e-mail: rycl@stromc.cz

Prodej fax: +420 286852841

RIPPERLAND

RO 3000

**Pro výrobní čísla strojů
631/08 a od 651/08**

Seznam dílů

Ersatzteilkatalog

Catalogue of the spare parts

Catalogue des pièces détachées

Katalog części zamiennych

Каталог запасных частей

KM345003

Pokyny k objednání náhradních dílů:

Katalog obsahuje seznam náhradních dílů a jejich sestavení do montážních skupin. Uspořádání katalogu je takové, že za ilustrovanou stranou následuje textová strana. Na textové straně jsou tyto sloupce:

| A | | A | B | | | |
|---|---|---|---|---|---|--|
| 1 | 2 | 2 | 3 | 4 | 5 | |

A- název skupiny

B- číslo skupiny

1- číslo pozice

2- název součásti

3- objednávací číslo

4- počet kusů

5- hmotnost součásti

Při objednávce náhradních dílů uveďte vždy :

- typ stroje
- výrobní číslo stroje
- objednávací číslo (sloupec 3)
- název součásti

Objednávku zašlete na adresu Vašeho obchodníka

Anweisung für die Bestellung von Ersatzteilen

Dieser Katalog umfasst die Ersatzteile und deren Zusammenbau in Montagegruppen. Der Katalog ist so ausgeführt, dass jeweils nach der Bildseite die Textseite folgt. Die Textseite gibt die Bildnummer :

| A | | A | B | | | |
|---|---|---|---|---|---|--|
| 1 | 2 | 2 | 3 | 4 | 5 | |

A- Benennung der Gruppe

B- Gruppenummer

1- Positionennummer

2- Benennung des Bestandteils

3- Bestellnummer

4- Stückzahl

5- Gewicht

Bei jeder Bestellung von Ersatzteilen führen Sie bitte an :

- Type der Maschine
- Die Herstellungsnummer der Maschine
- Bestellnummer (3)
- die genaue Benennung des Bestandteile

Die Bestellung senden Sie, bitte, an Adresse Ihres Fachhandlers

Instructions:

This catalogue contains a specification of the spare parts and their arrangement in individual assembling groups.

The catalogue is arranged so that after each illustrated page follows the respective text-page. The text includes the following.

| A | | A | B | | | |
|----------|---|----------|----------|---|---|--|
| 1 | 2 | 2 | 3 | 4 | 5 | |

A- name of group

B- number of group

1- number of position

2- name of the part

3- ordering number

4- number of pieces

5- weight of the part

When ordering spare parts, please, always state:

- type of the machine
- serial number of the machine
- ordering number
- exact denomination of part

Send your order to your local Sales Representative

Instructions pour la commande des pieces détachées

Ce catalogue contient une liste des pieces de rechanges, qui sont classées dans les groupes de montage.

Le catalogue est conçu qu'une page comprenant des croquis est suivie d'une page de texte. Sur les pages de se trouvent les colonnes suivantes

| A | | A | B | | | |
|----------|---|----------|----------|---|---|--|
| 1 | 2 | 2 | 3 | 4 | 5 | |

A- désignation de groupe

B- numéro de groupe

1- numéro de poste du catalogue

2- désignation de la piece

3- numéro de commande

4- nombre de pieces

5- poids de pieces

Lors de la commande des pieces détachées, il faut toujours mentionner:

- type de la machine
- numéro de fabrication de la machine
- numéro de commande (colonne n 3)
- désignation précise de la piece

Envoyez votre commande à l'adresse de votre vendeur

Wskazówki odnośnie zamawiania części zamiennych:

Katalog zawiera wykaz części zamiennych oraz ich zestawienie do zespołów montażowych. Katalog jest wykonany tak, że za stroną ilustrowaną znajduje się strona tekstowa. Na stronie tekstowej znajdują się następujące słupki:

| A | | A | B | | | |
|---|---|---|---|---|---|--|
| 1 | 2 | 2 | 3 | 4 | 5 | |
| | | | | | | |

A- nazwa zespołu

B- numer zespołu

1- numer pozycji

2- nazwa części

3- numer zamówieniowy

4- liczba sztuk

5- masa części

Przy zamawianiu części zamiennych zawsze należy podać :

- typ maszyny
- numer fabryczny maszyny
- numer zamówieniowy (słupka 3)
- nazwę części

Zamówienie należy przesyłać na adres Państwa sprzedawcy

Инструкция по заказу запасных частей

Настоящий каталог содержит перечень запасных частей и их монтаж в монтажные группы. Каталог составлен так, что после иллюстрированной страницы всегда следует страница с текстом.

На

странице с текстом следующие колонки.

| A | | A | B | | | |
|---|---|---|---|---|---|--|
| 1 | 2 | 2 | 3 | 4 | 5 | |
| | | | | | | |

A- название группы

B- номер группы

1- номер статьи каталога

2- название детали

3- заказной номер

4- количество штук в комплекте

5- масса детали

При заказе запасных частей всегда укажите :

- тип машины
- производственный номер машины
- заказной номер
- точное название детали

Заказ отправьте в адрес Вашего коммерсанта

**OBSAH
INHALT
CONTENTS**

**CONTENU
SPIS TREŚCI
СОДЕРЖАНИЕ**

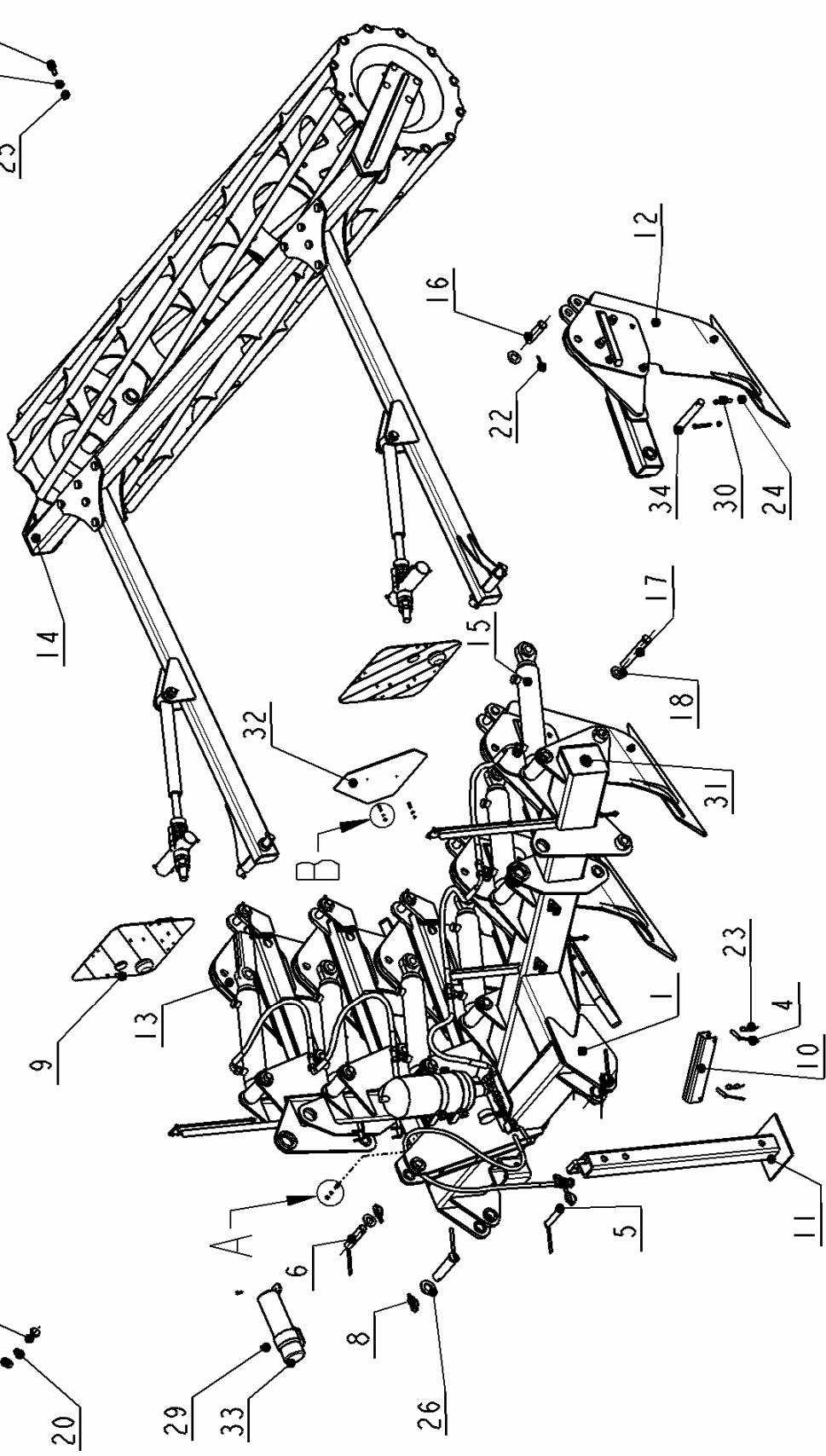
| | | |
|---|---|----|
| 1. RIPPERLAND ECONOMIC RIPPERLAND RIPPERLAND | RIPPERLAND RIPPERLAND RIPPERLAND | 2 |
| 2. PODRYVAKY ZARGE BODY | CORPS CIALO КОРПЧС | 6 |
| 3. PODPĚRNÉ KOLO GEGEN KRINGEL SUPPORT WHEEL | ROUE DE SUPPORT KOLO PODPOROWE КОЛЕСО ОПОРНОЕ | 14 |
| 4. SADY TĚSNĚNÍ HV DICHTUNGSSATZ SEAL ASSEMBLY | ENSEMBLE CALFATAGE ZESTAW НАДИВКА СЕТ | 18 |
| 5. PODPĚRNÝ VÁLEC ROLLE ROLLER | CYLLINDRE BEBEN БАРАБАН | 20 |

**VÝKRESOVÁ A TEXTOVÁ ČÁST
DER ZEICHNUNGEN UND TEXTE
SECTION OF DRAWINGS AND TEXTSTEIL
PARTIE DE DESSINET DE TEXT
RYSY I TEXTY
ЧЕРТЕЖНАЯ И ТЕКСТОВАЯ ЧАСТИ**

| | | |
|-------------------|------------|----------|
| ПОДРІВК_629_08_3М | RIPPERLAND | R0070000 |
| RIPPERLAND | RIPPERLAND | |
| RIPPERLAND | РИПЕРЛАНД | |

A
1:10
27
28
20

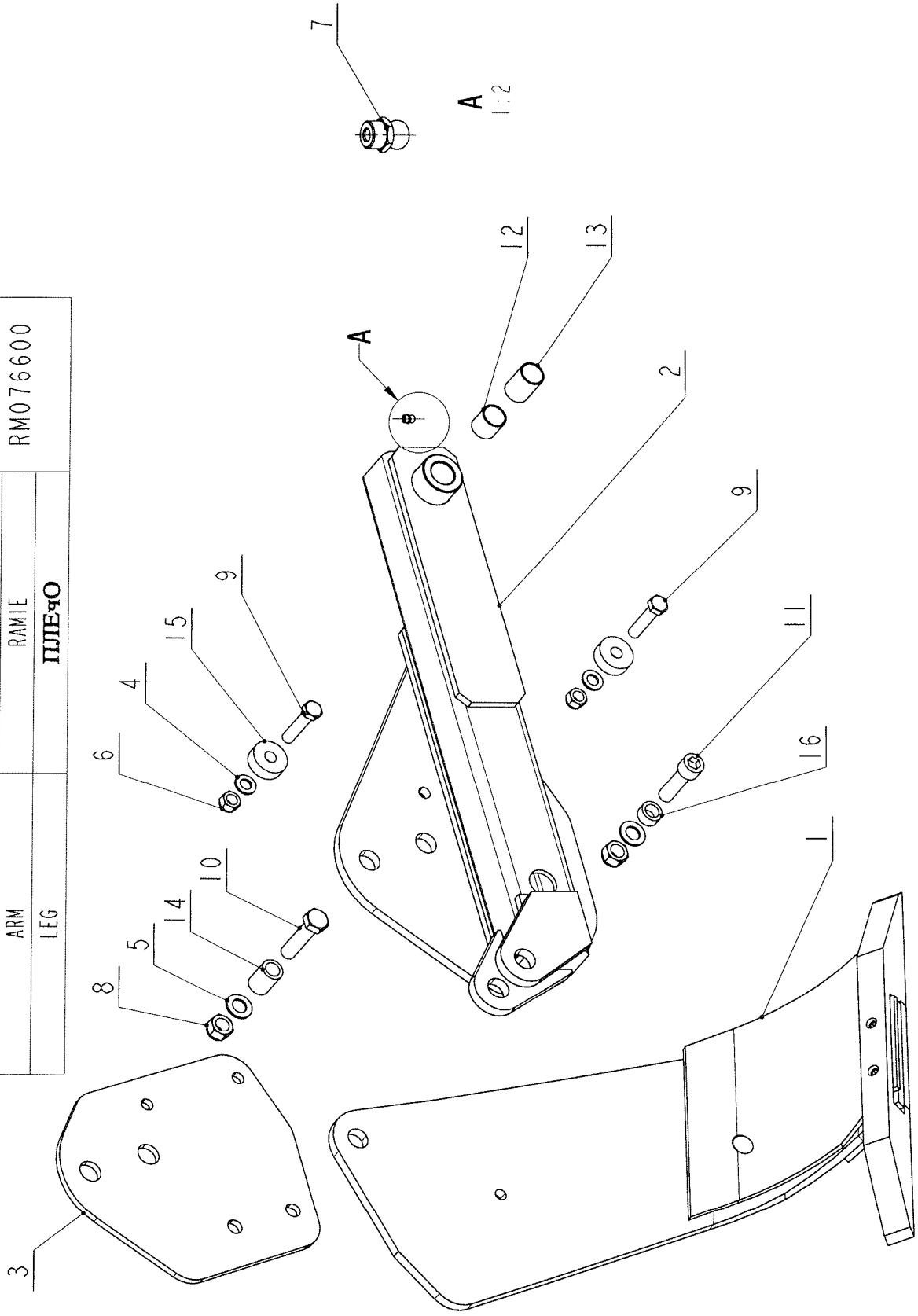
B
1:10
19
25
21



| PODRYVAK 629_08_3M RIPPERLAND RIPPERLAND | | RIPPERLAND RIPPERLAND РИППЕРЛАНД | | R0070000 | | |
|---|------------------------------|---|----------|----------|---------|---|
| 1 | RAM_PODR_3M | BORDURE | R0071000 | 1 | 358.310 | - |
| | RAMMEN | RAMA | | | | |
| | FRAME | РАМА | | | | |
| 2 | PODPER_KOLO_RP_L | ROUE DE SUPPORT | PK191000 | 1 | 96.938 | - |
| | GEGEN KRINGEL | KOLO PODPOROWE | | | | |
| | SUPPORT WHEEL | КОЛЕСО ОПОРНОЕ | | | | |
| 3 | PODPER_KOLO_RP_P | ROUE DE SUPPORT | PK192000 | 1 | 96.938 | - |
| | GEGEN KRINGEL | KOLO PODPOROWE | | | | |
| | SUPPORT WHEEL | КОЛЕСО ОПОРНОЕ | | | | |
| 4 | CEP12X60 | TOURILLON | CV012060 | 4 | 0.075 | - |
| | BOLZEN | CZOP | | | | |
| | FLAIL | ЦЕП | | | | |
| 5 | CEP25X115 | TOURILLON | CW025115 | 1 | 0.536 | - |
| | BOLZEN | CZOP | | | | |
| | FLAIL | ЦЕП | | | | |
| 6 | CEP30X125 | TOURILLON | CW030125 | 1 | 0.829 | - |
| | BOLZEN | CZOP | | | | |
| | FLAIL | ЦЕП | | | | |
| 7 | CEP36X138 | TOURILLON | CW036138 | 2 | 1.365 | - |
| | BOLZEN | CZOP | | | | |
| | FLAIL | ЦЕП | | | | |
| 8 | KM000060_KOLIK_POJISTNY_LPII | CLAVIJA | KM000060 | 4 | 0.051 | - |
| | STIFT | □TIFT | | | | |
| | PIM | ШТИФТ | | | | |
| 9 | SVETELNA RAMPA | LUMINEUSE | KM110077 | 1 | 12.474 | - |
| | LEUCHTEN RAMPE | RAMPA | | | | |
| | FOOTLIGHTS | СВЕТОВАЯ | | | | |
| 10 | DORAZ_TYC | POUTRE | RM075400 | 2 | 1.572 | - |
| | TRAEGER | BELKA | | | | |
| | BEAM | БАЛКА | | | | |
| 11 | ODSTAVNA_NOHA | PATTE | RM076050 | 1 | 18.866 | - |
| | FUSS | NOHA | | | | |
| | LEG | НОГА | | | | |
| 12 | RAMENO_PODRYV_LEVE | BRAS | RM076600 | 3 | 95.465 | - |
| | ARM | RAMIE | | | | |
| | LEG | ПЛЕЧО | | | | |
| 13 | RAMENO_PODRYV_PRAVE | BRAS | RM076650 | 3 | 93.093 | - |
| | ARM | RAMIE | | | | |
| | LEG | ПЛЕЧО | | | | |
| 14 | PODP_VALEC_SEST | TOURILON | R0072000 | 1 | 551.301 | - |
| | BOLZEN | CZOP | | | | |
| | CLEVIS PIN | ЦЕП | | | | |
| 15 | HYDRAULIKA | HYDRAULIQE | Y1030006 | 1 | 173.669 | - |
| | HYDRAULIK | HYDRAULIKA | | | | |
| | HYDRAULICS | | | | | |
| 16 | CEP30X106 | TOURILLON | CU030106 | 6 | 0.705 | - |
| | BOLZEN | CZOP | | | | |
| | FLAIL | ЦЕП | | | | |
| 17 | CEP30X188 | TOURILON | CU030188 | 6 | 1.160 | - |
| | BOLZEN | CZOP | | | | |
| | CLEVIS PIN | ЦЕП | | | | |
| 18 | PODLOZKA 31 | RONDELLE | KM000021 | 13 | 0.054 | - |
| | UNTERLAGE | PODKLADKA | | | | |
| | WASHER | ШАИБА | | | | |
| 19 | PODLOZKA 6,4 | RONDELLE | KM000024 | 20 | 0.002 | - |
| | UNTERLAGE | PODKLADKA | | | | |
| | WASHER | ШАИБА | | | | |
| 20 | PODLOZKA 8 | RONDELLE | KM000027 | 4 | 0.002 | - |
| | UNTERLAGE | PODKLADKA | | | | |
| | WASHER | ШАИБА | | | | |
| 21 | SROUB_M6X20 | VIS | KM000048 | 10 | 0.008 | - |
| | SCHRAUBE | SRUBA | | | | |
| | BOLT | БОЛТ | | | | |

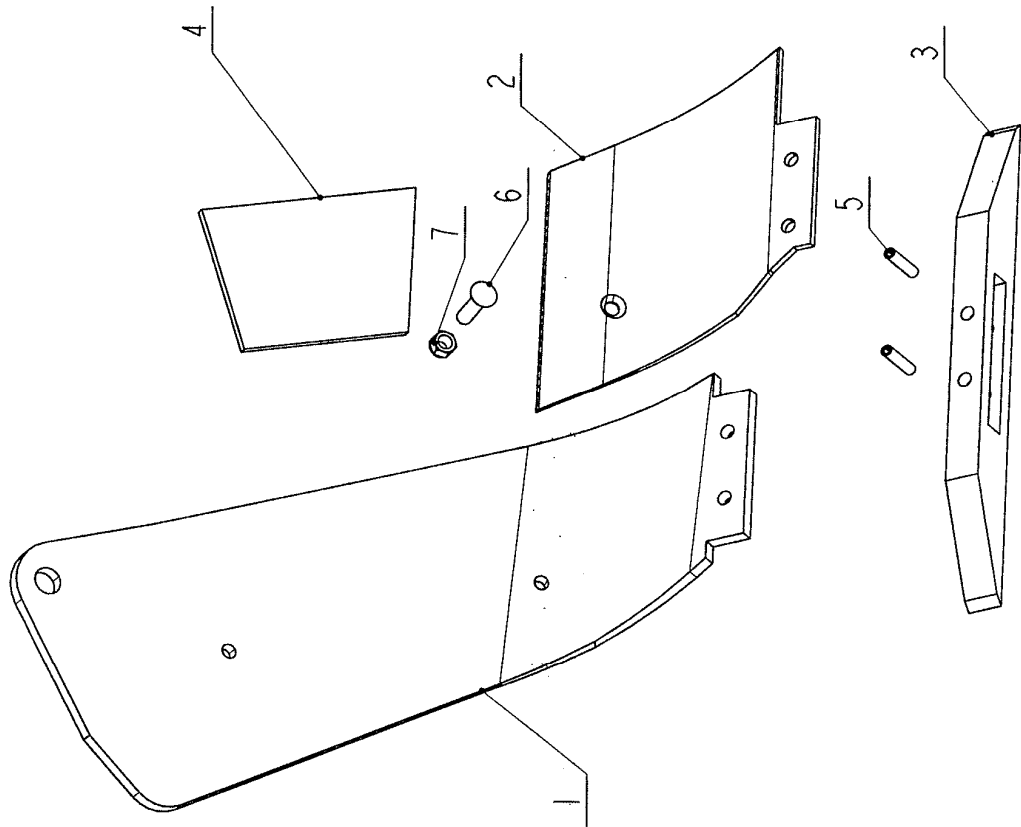
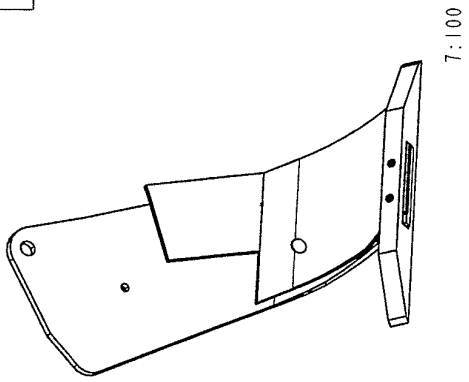
| PODRYVAK 629_08_3M | | RIPPERLAND | R0070000 | | | |
|---------------------------|-----------------------|-------------------|-----------------|----|-------|---|
| RIPPERLAND | | RIPPERLAND | | | | |
| RIPPERLAND | | РИППЕРЛАНД | | | | |
| 22 | ZAVLACKA6.3x63 | GOUPILLE | KM000052 | 12 | 0.018 | - |
| | SPLINT | SPLINT | | | | |
| | SPLIT PIN | ШПЛИНТ | | | | |
| 23 | BETA3 | GOUPILLE | KM000066 | 4 | 0.011 | - |
| | SPLINT | SPLINT | | | | |
| | SPLIT PIN | ШПЛИНТ | | | | |
| 24 | MATICE M10_SAMOJISTNA | ECROU | KM000155 | 12 | 0.013 | - |
| | MUTTER | NAKRETKA | | | | |
| | NUT | ГАЙКА | | | | |
| 25 | MATICE M6_SAMOJISTNA | ECROU | KM000157 | 10 | 0.003 | - |
| | MUTTER | NAKRETKA | | | | |
| | NUT | ГАЙКА | | | | |
| 26 | PODLOZKA 37 | RONDELLE | KM000188 | 2 | 0.092 | - |
| | UNTERLAGE | PODKLADKA | | | | |
| | WASHER | ШАЙБА | | | | |
| 27 | PODLOZKA 8,4 | RONDELLE | KM000219 | 4 | 0.002 | - |
| | UNTERLAGE | PODKLADKA | | | | |
| | WASHER | ШАЙБА | | | | |
| 28 | SROUB M8 x 20 | VIS | KM000256 | 4 | 0.014 | - |
| | SCHRAUBE | SRUBA | | | | |
| | BOLT | БОЛТ | | | | |
| 29 | SROUB M6.3X25 | VIS | KM000279 | 2 | 0.010 | - |
| | SCHRAUBE | SRUBA | | | | |
| | BOLT | БОЛТ | | | | |
| 30 | SROUB M10 x 75 | VIS | KM000393 | 12 | 0.060 | - |
| | SCHRAUBE | SRUBA | | | | |
| | BOLT | БОЛТ | | | | |
| 31 | ODRAZKA_ORANZOVA | REFLECHISSANT | KM110006 | 2 | 0.151 | - |
| | KATZENAUGE | ODRAZKA | | | | |
| | REFLECTOR | ОТРА. ЗНАК | | | | |
| 32 | VYSTRAZNY_TERC | TOLE | KM110007 | 1 | 3.363 | - |
| | BLECH | BLACHA | | | | |
| | SHEET | ЛИСТ МЕТАЛЛА | | | | |
| 33 | POUZDRO_NAVOD | BOITIER | KM110066 | 1 | 0.344 | - |
| | BUCHSE | TULEJA | | | | |
| | BUSH | БТУЛКА | | | | |
| 34 | СЕРЗО | TOURILLON | RM076415 | 6 | 1.151 | - |
| | BOLZEN | CZOP | | | | |
| | FLAIL | ЦЕП | | | | |

| | | |
|--------------------|---------------|----------|
| RAMENO_PODRYV_LEVE | BRAS | RM076600 |
| ARM | RAMIE | |
| LEG | ІЛІЕЧО | |



| RAMENO_PODRYV_LEVE ARM LEG | | BRAS RAMIE ПЛЕЧО | RM076600 | | | |
|---|-----------------------|---------------------------------|-----------------|---|--------|---|
| 1 | PODRYVAK_PRAVY | CORPS | KM060079 | 1 | 40.713 | - |
| | ZARGE | CIALO | | | | |
| | BODY | КОРПУС | | | | |
| 2 | RAMENO | BRAS | RM076610 | 1 | 44.232 | - |
| | ARM | RAMIE | | | | |
| | LEG | ПЛЕЧО | | | | |
| 3 | DESKA2_UPLNA | PLAQUE | RM076620 | 1 | 8.679 | - |
| | PLATTE | PLYTA | | | | |
| | BOARD | ПЛИТА | | | | |
| 4 | PODLOZKA 17 | RONDELLE | KM000005 | 2 | 0.012 | - |
| | UNTERLAGE | PODKLADKA | | | | |
| | WASHER | ШАИБА | | | | |
| 5 | PODLOZKA 21 | RONDELLE | KM000006 | 2 | 0.018 | - |
| | UNTERLAGE | PODKLADKA | | | | |
| | WASHER | ШАИБА | | | | |
| 6 | MATICE M16_SAMOJISTNA | ECROU | KM000057 | 2 | 0.035 | - |
| | MUTTER | NAKRETKA | | | | |
| | NUT | ГАЙКА | | | | |
| 7 | MAZNICKA_LOZ | GRAISSEUR | KM000058 | 1 | 0.008 | - |
| | SCHMIERNIPPEL | MAZNICA | | | | |
| | GREASENIPPLE | МАСЛЕНКА | | | | |
| 8 | MATICE M20_SAMOJISTNA | ECROU | KM000111 | 2 | 0.067 | - |
| | MUTTER | NAKRETKA | | | | |
| | NUT | ГАЙКА | | | | |
| 9 | SROUB M16x70 | VIS | KM000164 | 2 | 0.149 | - |
| | SCHRAUBE | SRUBA | | | | |
| | BOLT | БОЛТ | | | | |
| 10 | SROUB M20x80 | VIS | KM000181 | 1 | 0.272 | - |
| | SCHRAUBE | SRUBA | | | | |
| | BOLT | БОЛТ | | | | |
| 11 | SROUB M20 x 70 | VIS | KM000383 | 1 | 0.261 | - |
| | SCHRAUBE | SRUBA | | | | |
| | BOLT | БОЛТ | | | | |
| 12 | POUZDRO_30X35KU | BOITIER | KM040092 | 1 | 0.055 | - |
| | BUCHSE | TULEJA | | | | |
| | BUSH | БТУЛКА | | | | |
| 13 | POUZDRO_30X50KU | BOITIER | KM040096 | 1 | 0.078 | - |
| | BUCHSE | TULEJA | | | | |
| | BUSH | БТУЛКА | | | | |
| 14 | POUZDRO | BOITIER | RM051306 | 1 | 0.123 | - |
| | BUCHSE | TULEJA | | | | |
| | BUSH | БТУЛКА | | | | |
| 15 | POUZDRO2 | BOITIER | RM051307 | 2 | 0.246 | - |
| | BUCHSE | TULEJA | | | | |
| | BUSH | БТУЛКА | | | | |
| 16 | POUZDRO | BOITIER | RM076601 | 1 | 0.045 | - |
| | BUCHSE | TULEJA | | | | |
| | BUSH | БТУЛКА | | | | |

| | | |
|----------------|---------------|----------|
| PODRYVAK_PRAVY | CORPS | KM060079 |
| ZARGE | CIALO | |
| BODY | КОРПУС | |



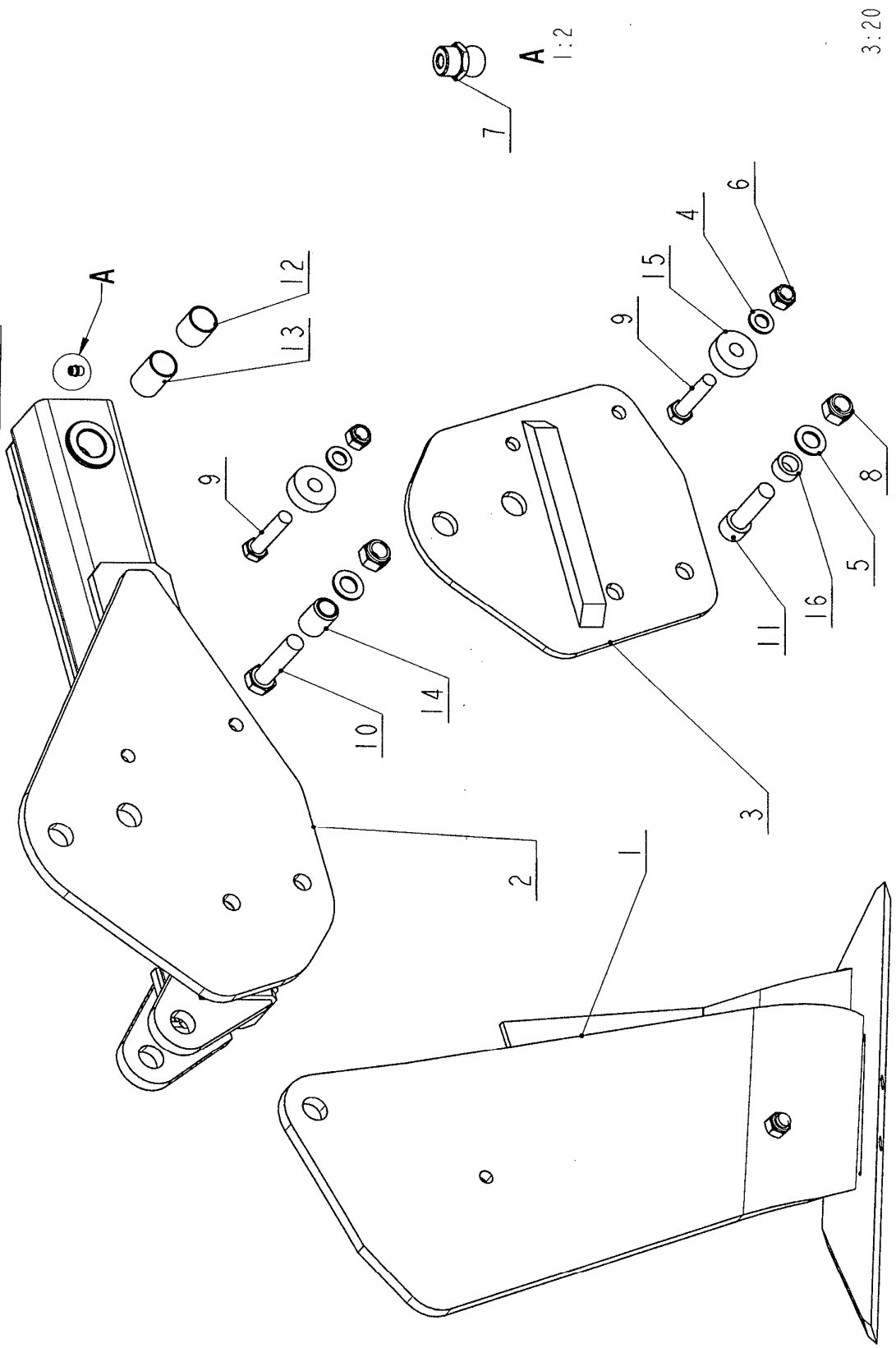
**PODRYVAK_PRAVY
ZARGE
BODY**

**CORPS
CIALO
КОРПУС**

KM060079

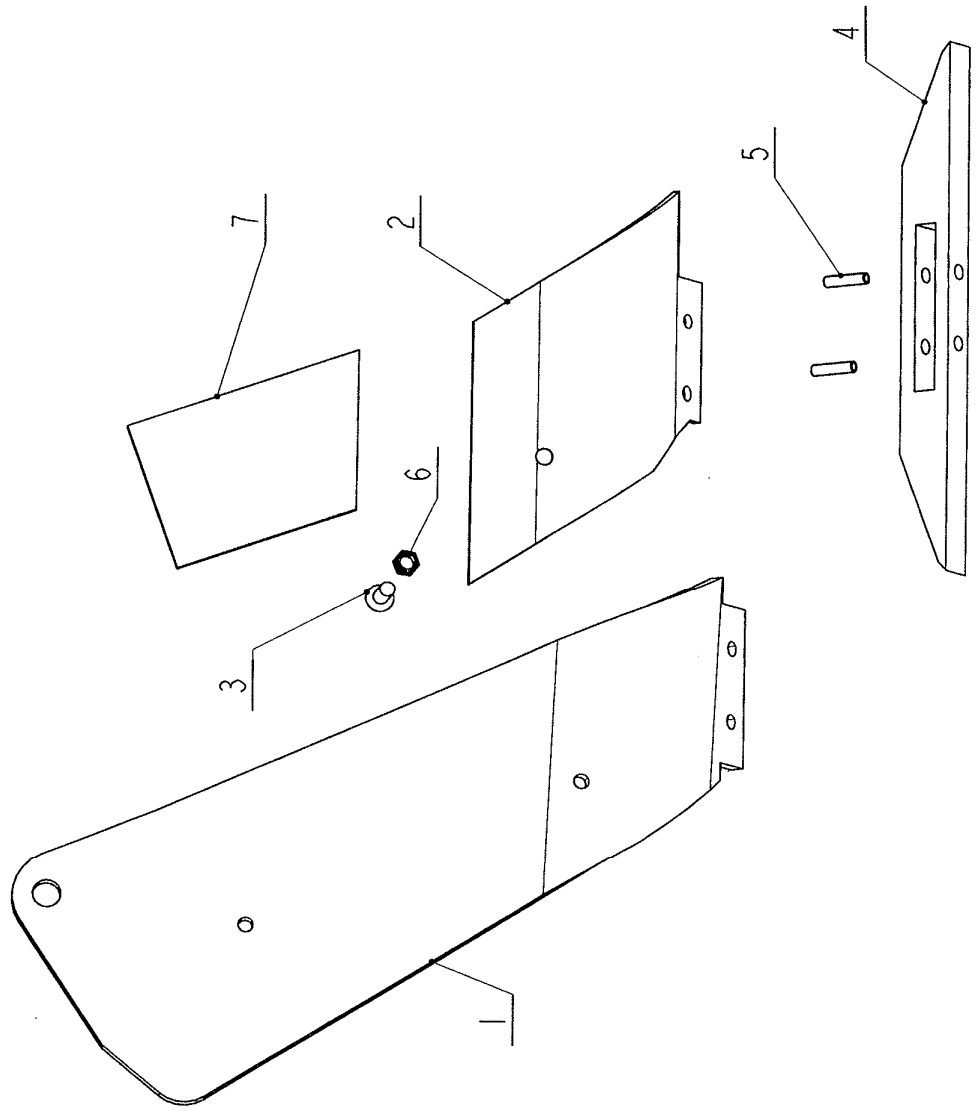
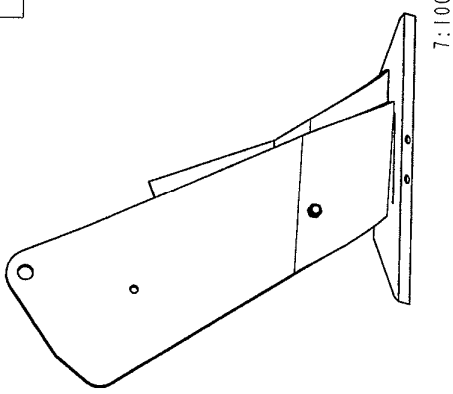
| | | | | | | |
|---|------------------------|-----------|----------|---|--------|---|
| 1 | PODRYVAK_SLUPICE_PRAVA | ATTACHE | KM060068 | 1 | 25.964 | - |
| | GRIFF_RECHTS | UCHWYT | | | | |
| | HANDLE_RIGHT | РУКОЯТКА | | | | |
| 2 | VYMENNY_DIL_PRAVY | BRIDGE | KM060070 | 1 | 4.987 | - |
| | FLANSCH_RECHTS | KOLINIERZ | | | | |
| | FLANGE_RIGHT | ФЛАНЕЦ | | | | |
| 3 | OSTRI_RIPPER_PRAVE | SOC | KM060074 | 1 | 7.191 | - |
| | GANSEFUZMESSER_RECHTS | REDLICA | | | | |
| | LIFTER_BLADE_RIGHT | ЛАПА | | | | |
| 4 | KRYCI_PLECH_L | BRIDGE | RM076603 | 1 | 2.382 | - |
| | FLANSCH_RECHTS | KOLINIERZ | | | | |
| | FLANGE_RIGHT | ФЛАНЕЦ | | | | |
| 5 | KOLIK_PRUZY_RIPPER | CHEVILLE | KM000261 | 2 | 0.025 | - |
| | STIFT | STIFT | | | | |
| | PIN | ШТИФТ | | | | |
| 6 | SROUB M16 x 60 | VIS | KM000036 | 1 | 0.109 | - |
| | SCHRAUBE | SRUBA | | | | |
| | BOLT | БОЛТ | | | | |
| 7 | MATICE M16_SAMOJISTNA | ECROU | KM000057 | 1 | 0.035 | - |
| | MUTTER | NAKRETKA | | | | |
| | NUT | ГАЙКА | | | | |

| | | |
|---------------------|-------|----------|
| RAMENO_PODRYV_PRAVE | BRAS | RM076650 |
| ARM | RAMIE | |
| LEG | ПЛЕЧО | |



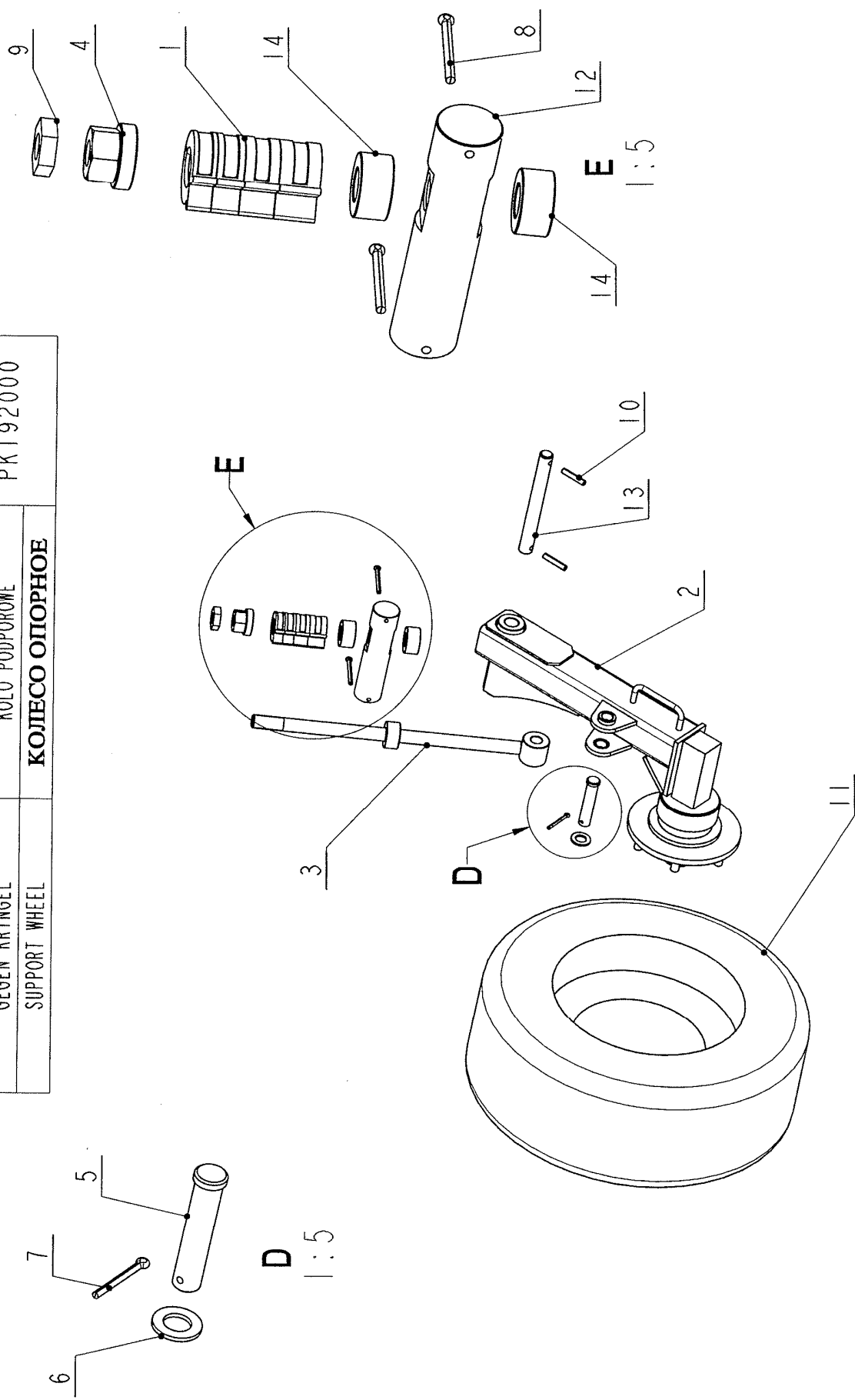
| RAMENO_PODRYV_PRAVE ARM LEG | | BRAS РАМІЕ ПЛЕЧО | RM076650 | | | |
|-----------------------------------|-----------------------|------------------------|----------|---|--------|---|
| 1 | PODRYVAK_LEVY | CORPS | KM060078 | 1 | 40.712 | - |
| | ZARGE | CIALO | | | | |
| | BODY | КОРПУС | | | | |
| 2 | RAMENO | BRAS | RM076660 | 1 | 44.232 | - |
| | ARM | РАМІЕ | | | | |
| | LEG | ПЛЕЧО | | | | |
| 3 | DESKA2_UPLNA | PLAQUE | RM076670 | 1 | 8.679 | - |
| | PLATTE | PLYTA | | | | |
| | BOARD | ПЛИТА | | | | |
| 4 | PODLOZKA 17 | RONDELLE | KM000005 | 2 | 0.012 | - |
| | UNTERLAGE | PODKLADKA | | | | |
| | WASHER | ШАЙБА | | | | |
| 5 | PODLOZKA 21 | RONDELLE | KM000006 | 2 | 0.018 | - |
| | UNTERLAGE | PODKLADKA | | | | |
| | WASHER | ШАЙБА | | | | |
| 6 | MATICE M16_SAMOJISTNA | ECROU | KM000057 | 2 | 0.035 | - |
| | MUTTER | NAKRETKA | | | | |
| | NUT | ГАЙКА | | | | |
| 7 | MAZNICKA_LOZ | GRAISSEUR | KM000058 | 1 | 0.008 | - |
| | SCHMIERNIPPEL | MAZNICA | | | | |
| | GREASENIPPLE | МАСЛЕНКА | | | | |
| 8 | MATICE M20_SAMOJISTNA | ECROU | KM000111 | 2 | 0.067 | - |
| | MUTTER | NAKRETKA | | | | |
| | NUT | ГАЙКА | | | | |
| 9 | SROUB M16x70 | VIS | KM000164 | 2 | 0.149 | - |
| | SCHRAUBE | SRUBA | | | | |
| | BOLT | БОЛТ | | | | |
| 10 | SROUB M20x80 | VIS | KM000181 | 1 | 0.272 | - |
| | SCHRAUBE | SRUBA | | | | |
| | BOLT | БОЛТ | | | | |
| 11 | SROUB M20 x 70 | VIS | KM000383 | 1 | 0.261 | - |
| | SCHRAUBE | SRUBA | | | | |
| | BOLT | БОЛТ | | | | |
| 12 | POUZDRO_30X35KU | BOITIER | KM040092 | 1 | 0.055 | - |
| | BUCHSE | TULEJA | | | | |
| | BUSH | БТУЛКА | | | | |
| 13 | POUZDRO_30X50KU | BOITIER | KM040096 | 1 | 0.078 | - |
| | BUCHSE | TULEJA | | | | |
| | BUSH | БТУЛКА | | | | |
| 14 | POUZDRO | BOITIER | RM051306 | 1 | 0.123 | - |
| | BUCHSE | TULEJA | | | | |
| | BUSH | БТУЛКА | | | | |
| 15 | POUZDRO2 | BOITIER | RM051307 | 2 | 0.246 | - |
| | BUCHSE | TULEJA | | | | |
| | BUSH | БТУЛКА | | | | |
| 16 | POUZDRO | BOITIER | RM076601 | 1 | 0.045 | - |
| | BUCHSE | TULEJA | | | | |
| | BUSH | БТУЛКА | | | | |

| | | |
|---------------|---------------|----------|
| PODRYVAK_LEVY | CORPS | KM060078 |
| ZARGE | CIALO | |
| BODY | КОПИУС | |



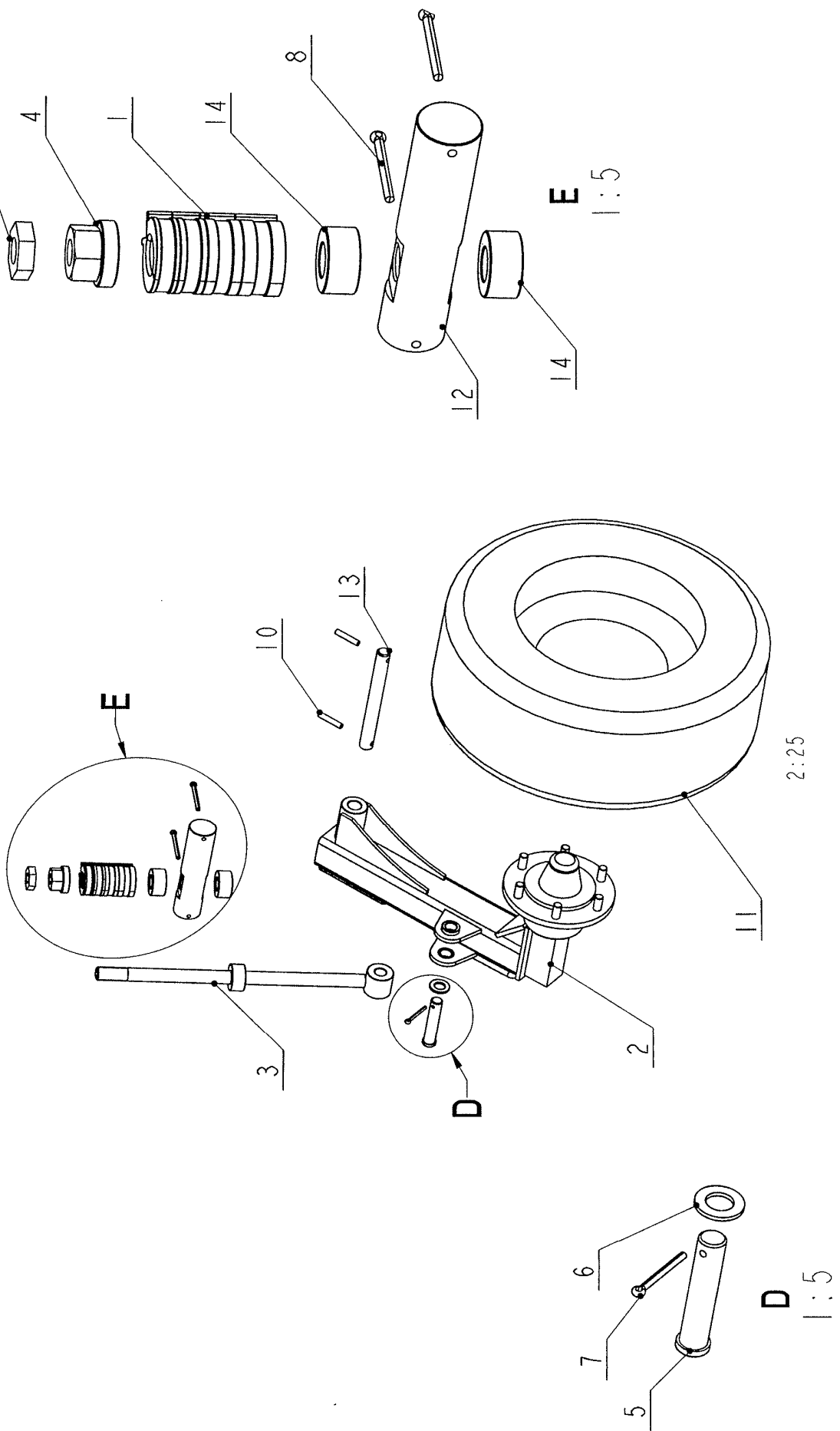
| PODRYVAK_LEVY ZARGE BODY | | CORPS CIALO КОРПУС | KM060078 | | | |
|--------------------------------|-----------------------|--------------------------|----------|---|--------|---|
| 1 | PODRYVAK_SLUPICE_LEVA | ATTACHE | KM060073 | 1 | 25.964 | - |
| | GRIFF_LINKS | UCHWYT | | | | |
| | HANDLE_LEFT | РУКОЯТКА | | | | |
| 2 | VYMENNY_DIL_LEVY | BRIDGE | KM060075 | 1 | 4.986 | - |
| | FLANSCH_LINKS | KOLINIERZ | | | | |
| | FLANGE_LEFT | ФЛАНЕЦ | | | | |
| 3 | SROUB M16 x 60 | VIS | KM000036 | 1 | 0.109 | - |
| | SCHRAUBE | SRUBA | | | | |
| | BOLT | БОЛТ | | | | |
| 4 | OSTRI_RIPPER_LEVE | SOC | KM060069 | 1 | 7.191 | - |
| | GANSEFUZMESSER_LINKS | REDLICA | | | | |
| | LIFTER BLADE_LEFT | ЛАПА | | | | |
| 5 | KOLIK_PRUZYNY_RIPPER | CHEVILLE | KM000261 | 2 | 0.025 | - |
| | STIFT | STIFT | | | | |
| | PIN | ШТИФТ | | | | |
| 6 | MATICE M16_SAMOJISTNA | ECROU | KM000057 | 1 | 0.035 | - |
| | MUTTER | NAKRETKA | | | | |
| | NUT | ГАЙКА | | | | |
| 7 | KRYCI_PLECH_P | BRIDGE | RM076653 | 1 | 2.382 | - |
| | FLANSCH_RECHTS | KOLINIERZ | | | | |
| | FLANGE_RIGHT | ФЛАНЕЦ | | | | |

| | | |
|------------------|-----------------|-----------|
| PODPER_KOLO_RP_P | ROUE DE SUPPORT | PK 192000 |
| GEGEN KRINGEL | KOLO PODPOROWE | |
| SUPPORT WHEEL | КОЛЕСО ОПОРНОЕ | |



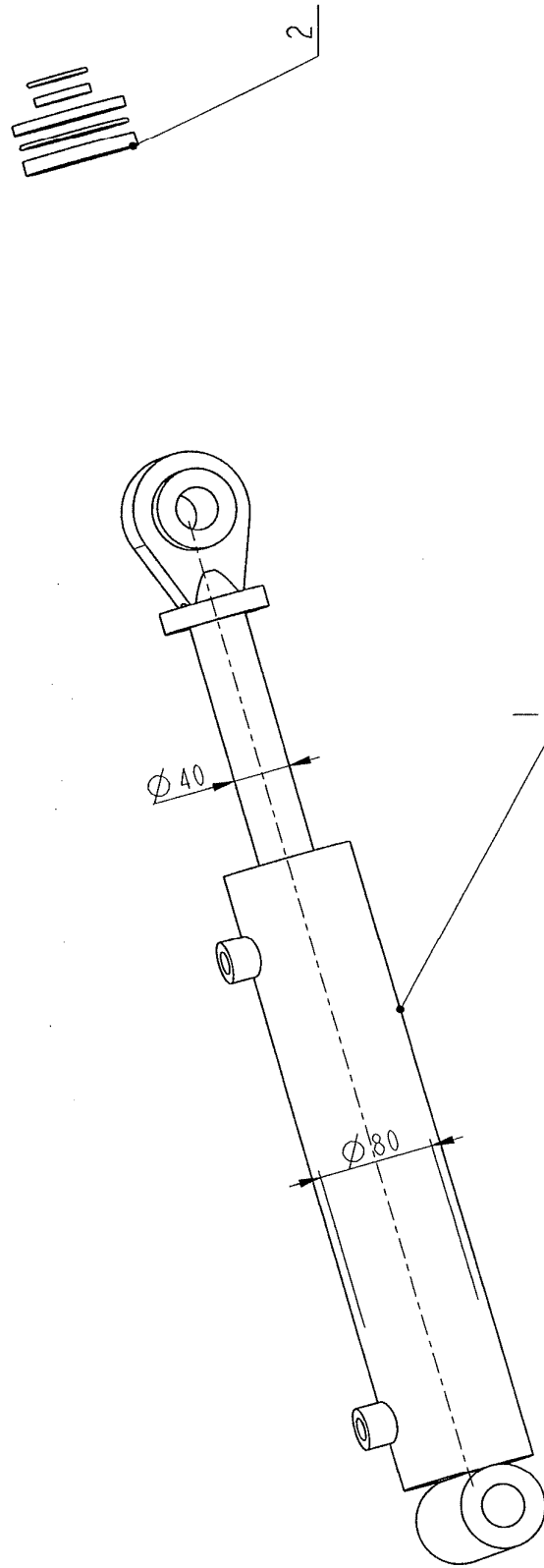
| PODPER KOLO RP_P GEGEN KRINGEL SUPPORT WHEEL | | ROUE DE SUPPORT KOLO PODPOROWE КОЛЕСО ОПОРНОЕ | | PK192000 | | |
|--|-----------------|---|----------|----------|--------|---|
| 1 | HYDROKLIPS_SADA | CLIPSE | KM010106 | 1 | 0.926 | - |
| | KLIPS | KLIPS | | | | |
| | CLIPS | КЛИПСА | | | | |
| 2 | RAMENO_UPLNE | BRAS | PK192300 | 1 | 39.917 | - |
| | ARM | RAMIE | | | | |
| | LEG | ПЛЕЧО | | | | |
| 3 | TAHLO_REGULACE | TIGE | T0020100 | 1 | 4.817 | - |
| | HENGST | СІЕГНО | | | | |
| | ROD | ТЯГА | | | | |
| 4 | MATICE_S_PODL | ECROU | T0300100 | 1 | 0.518 | - |
| | MUTTER | NAKRETKA | | | | |
| | NUT | ГАЙКА | | | | |
| 5 | CEP25X110 | TOURILON | CU025110 | 1 | 0.506 | - |
| | BOLZEN | CZOP | | | | |
| | CLEVIS PIN | ЦЕП | | | | |
| 6 | PODLOZKA 25 | RONDELLE | KM000020 | 1 | 0.033 | - |
| | UNTERLAGE | PODKLADKA | | | | |
| | WASHER | ШАЙБА | | | | |
| 7 | ZAVLACKA6.3x63 | GOUPILLE | KM000052 | 1 | 0.018 | - |
| | SPLINT | SPLINT | | | | |
| | SPLIT PIN | ШПИЛНТ | | | | |
| 8 | ZAVLACKA8x80 | GOUPILLE | KM000059 | 2 | 0.038 | - |
| | SPLINT | SPLINT | | | | |
| | SPLIT PIN | ШПИЛНТ | | | | |
| 9 | MATICE M30 | ECROU | KM000173 | 1 | 0.163 | - |
| | MUTTER | NAKRETKA | | | | |
| | NUT | ГАЙКА | | | | |
| 10 | KOLIK_12x60 | CHEVILLE | KM000205 | 2 | 0.029 | - |
| | STIFT | STIFT | | | | |
| | PIN | ШТИФТ | | | | |
| 11 | KOLO | ROUE | KM050006 | 1 | 39.564 | - |
| | KRINGEL | KOLO | | | | |
| | WHEEL | КОЛЕСО | | | | |
| 12 | POUZDRO | BOITIER | PK141001 | 1 | 5.081 | - |
| | BUCHSE | TULEJA | | | | |
| | BUSH | ВТУЛКА | | | | |
| 13 | CEPI | TOURILON | PK141002 | 1 | 1.524 | - |
| | BOLZEN | CZOP | | | | |
| | CLEVIS PIN | ЦЕП | | | | |
| 14 | DORAZ | APPUI | T0300002 | 2 | 0.493 | - |
| | SPREIZE | PODPORA | | | | |
| | ABUTMENT | ОПОРА | | | | |

| | | |
|------------------|-----------------------|-----------|
| PODPER_KOLO_RP_L | ROUE DE SUPPORT | PK 191000 |
| GEGEN KRINGEL | KOLO PODPOROWE | |
| SUPPORT WHEEL | КОЛЕСО ОПОРНОЕ | |



| PODPER KOLO RP_L GEGEN KRINGEL SUPPORT WHEEL | | ROUE DE SUPPORT KOLO PODPOROWE КОЛЕСО ОПОРНОЕ | | PK191000 | | |
|--|-----------------|---|----------|----------|--------|---|
| 1 | HYDROKLIPS_SADA | CLIPSE | KM010106 | 1 | 0.926 | - |
| | KLIPS | KLIPS | | | | |
| | CLIPS | КЛИПСА | | | | |
| 2 | RAMENO_UPLNE | BRAS | PK191300 | 1 | 39.917 | - |
| | ARM | RAMIE | | | | |
| | LEG | ПЛЕЧО | | | | |
| 3 | TAHLO_REGULACE | TIGE | T0020100 | 1 | 4.817 | - |
| | HENGST | CIEGNO | | | | |
| | ROD | ТЯГА | | | | |
| 4 | MATICE_S_PODL | ECROU | T0300100 | 1 | 0.518 | - |
| | MUTTER | NAKRETKA | | | | |
| | NUT | ГАЙКА | | | | |
| 5 | CEP25X110 | TOURILON | CU025110 | 1 | 0.506 | - |
| | BOLZEN | CZOP | | | | |
| | CLEVIS PIN | ЦЕП | | | | |
| 6 | PODLOZKA 25 | RONDELLE | KM000020 | 1 | 0.033 | - |
| | UNTERLAGE | PODKLADKA | | | | |
| | WASHER | ШАЙБА | | | | |
| 7 | ZAVLACKA6.3x63 | GOUPILLE | KM000052 | 1 | 0.018 | - |
| | SPLINT | SPLINT | | | | |
| | SPLIT PIN | ШПЛИНТ | | | | |
| 8 | ZAVLACKA8x80 | GOUPILLE | KM000059 | 2 | 0.038 | - |
| | SPLINT | SPLINT | | | | |
| | SPLIT PIN | ШПЛИНТ | | | | |
| 9 | MATICE M30 | ECROU | KM000173 | 1 | 0.163 | - |
| | MUTTER | NAKRETKA | | | | |
| | NUT | ГАЙКА | | | | |
| 10 | KOLIK_12x60 | CHEVILLE | KM000205 | 2 | 0.029 | - |
| | STIFT | STIFT | | | | |
| | PIN | ШТИФТ | | | | |
| 11 | KOLO | ROUE | KM050006 | 1 | 39.564 | - |
| | KRINGEL | KOLO | | | | |
| | WHEEL | КОЛЕСО | | | | |
| 12 | POUZDRO | BOITIER | PK141001 | 1 | 5.081 | - |
| | BUCHSE | TULEJA | | | | |
| | BUSH | БТУЛКА | | | | |
| 13 | CEPI | TOURILON | PK141002 | 1 | 1.524 | - |
| | BOLZEN | CZOP | | | | |
| | CLEVIS PIN | ЦЕП | | | | |
| 14 | DORAZ | APPUI | T0300002 | 2 | 0.493 | - |
| | SPREIZE | PODPORA | | | | |
| | ABUTMENT | ОПОРА | | | | |

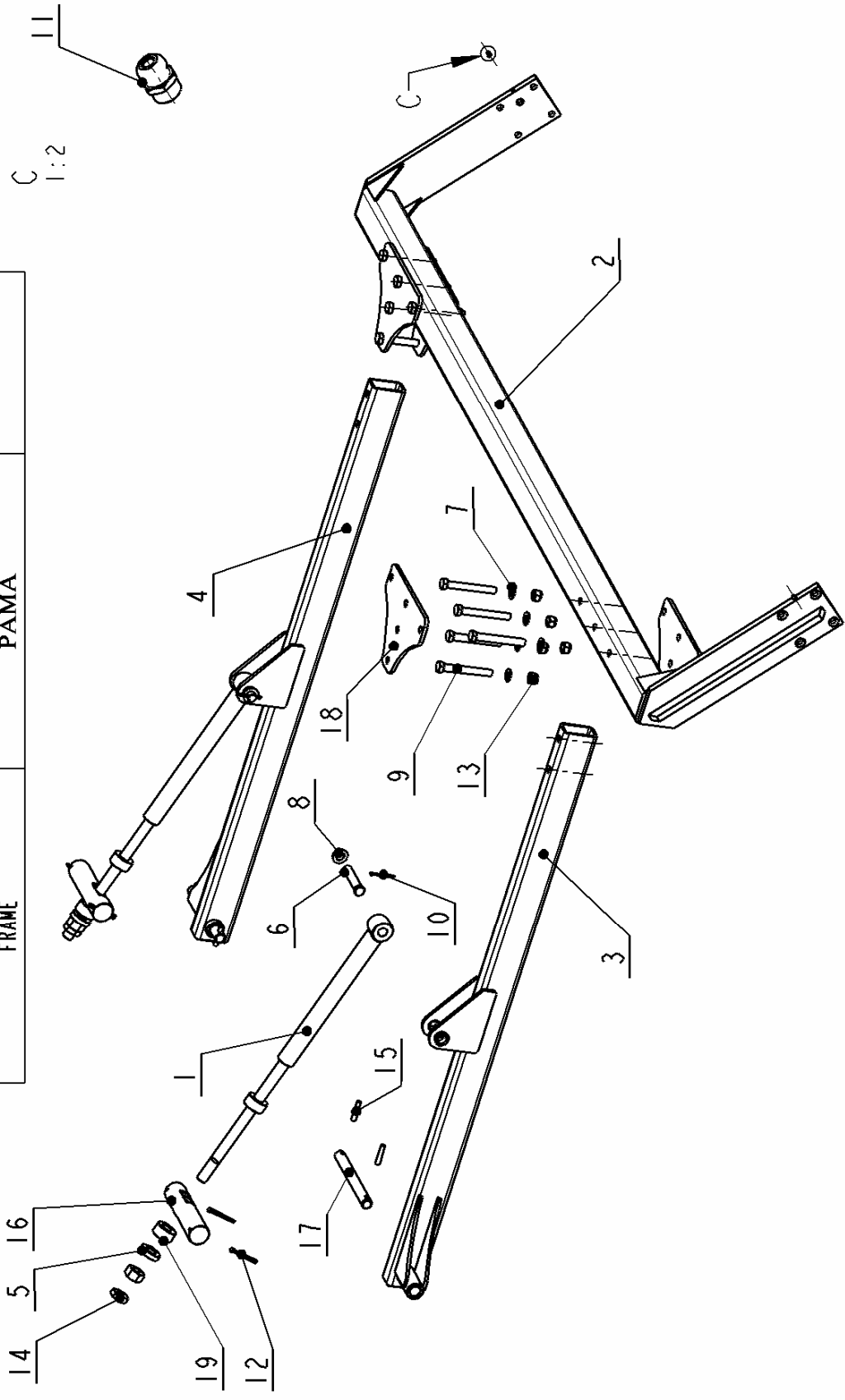
| | | |
|-----------------|--------------------|----------|
| SADA_TESNENI_HV | ENSEMBLE CALFATAGE | HV000005 |
| DICHTUNGSSATZ | ZESTAW | |
| SEAL ASSEMBLY | НАДІВКА СЕТ | |



| | | | | | |
|--|--|----------|--|--|--|
| SADA TESNENI HV DICHTUNGSSATZ SEAL ASSEMBLY | ENSEMBLE CALFATAGE ZESTAW НАДИВКА СЕТ | HV000005 | | | |
|--|--|----------|--|--|--|

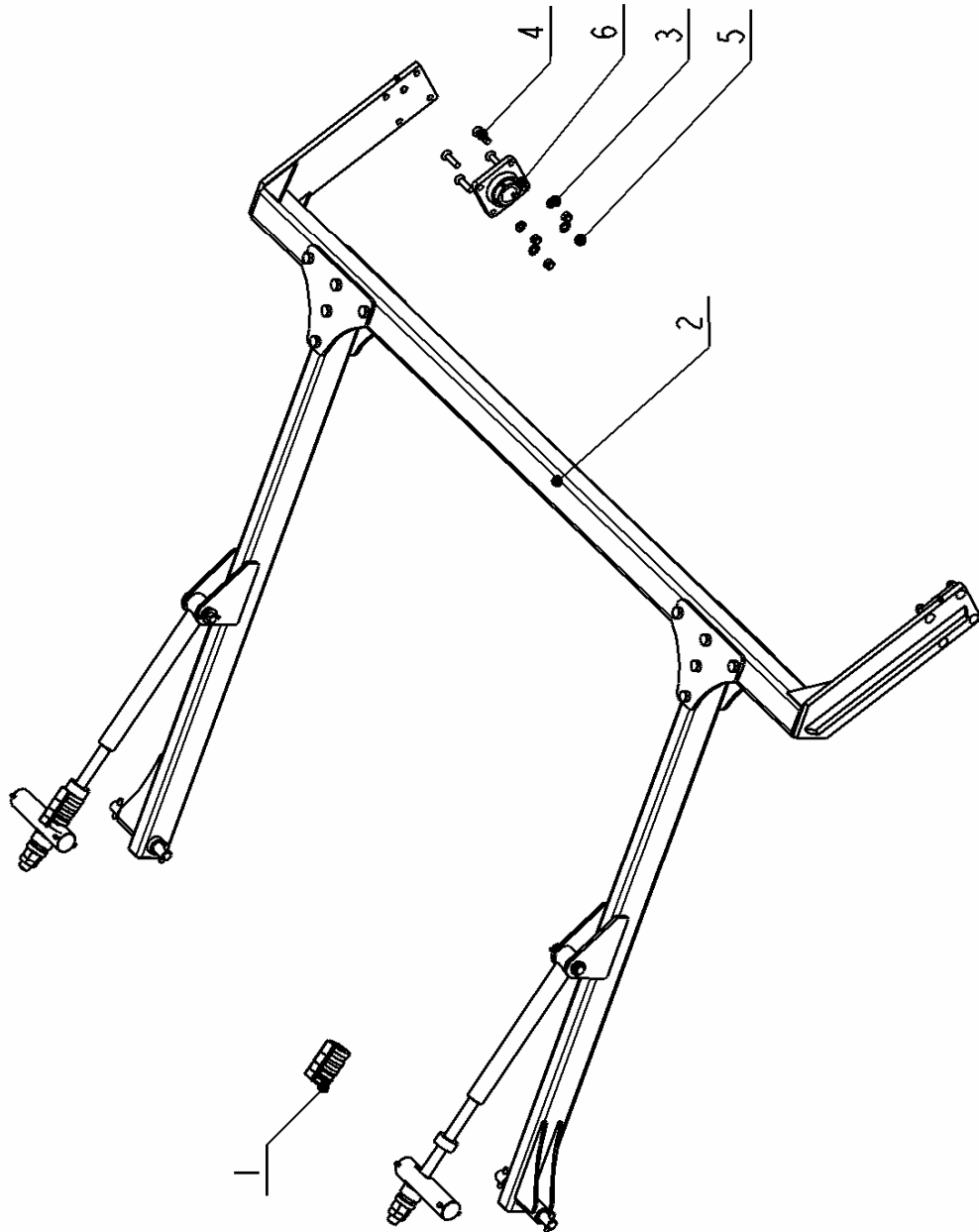
| | | | | | | |
|---|------------------------|--------------------|----------|---|--------|---|
| 1 | HYDRAULICKY_VALEC_KOMP | HYDR.CYLINDRE | KM010196 | 1 | 15.690 | - |
| | HYDR.ZYLINDER | HYDR.CYLINDR | | | | |
| | HYDR.CYLINDER | ГИДР.ЦИЛИНДР | | | | |
| 2 | TESNENI_SADA_80X40X300 | ENSEMBLE CALFATAGE | KM010306 | 1 | 0.007 | - |
| | DICHTUNGSSATZ | ZESTAW | | | | |
| | SEAL ASSEMBLY | НАДИВКА СЕТ | | | | |

| | | |
|----------------|---------|----------|
| RAM_VALCE_PODR | BORDURE | R0072100 |
| RAHMEN | RAMA | |
| FRAME | PAMA | |



| RAM VALCE_PODR RAHMEN FRAME | | BORDURE RAMA РАМА | R0072100 | | | |
|-----------------------------------|-----------------------|-------------------------|----------|----|---------|---|
| 1 | TAHLO_REGULACE | TIGE | RM075250 | 2 | 8.865 | - |
| | HENGST | С IEGNO | | | | |
| | ROD | ТЯГА | | | | |
| 2 | RAM_SV | BORDURE | R0072150 | 1 | 111.808 | - |
| | RAHMEN | RAMA | | | | |
| | FRAME | РАМА | | | | |
| 3 | RAMENO | BRAS | R0072160 | 1 | 30.348 | - |
| | ARM | RAMIE | | | | |
| | LEG | ПЛЕЧО | | | | |
| 4 | RAMENO_PRAVE | BRAS | R0072170 | 1 | 30.348 | - |
| | ARM | RAMIE | | | | |
| | LEG | ПЛЕЧО | | | | |
| 5 | MATICE_S_PODL | ECROU | T0300100 | 2 | 0.518 | - |
| | MUTTER | NAKRETKA | | | | |
| | NUT | ГАЙКА | | | | |
| 6 | CEP25X110 | TOURILON | CU025110 | 2 | 0.506 | - |
| | BOLZEN | CZOP | | | | |
| | CLEVIS PIN | ЦЕП | | | | |
| 7 | PODLOZKA 21 | RONDELLE | KM000006 | 10 | 0.018 | - |
| | UNTERLAGE | PODKLADKA | | | | |
| | WASHER | ШАЙБА | | | | |
| 8 | PODLOZKA 25 | RONDELLE | KM000020 | 2 | 0.033 | - |
| | UNTERLAGE | PODKLADKA | | | | |
| | WASHER | ШАЙБА | | | | |
| 9 | SROUB M20 x 150 | VIS | KM000041 | 10 | 0.444 | - |
| | SCHRAUBE | SRUBA | | | | |
| | BOLT | БОЛТ | | | | |
| 10 | ZAVLACKA6.3x63 | GOUPILLE | KM000052 | 2 | 0.018 | - |
| | SPLINT | SPLINT | | | | |
| | SPLIT PIN | ШПЛИНТ | | | | |
| 11 | MAZNICKA_LOZ | GRAISSEUR | KM000058 | 2 | 0.008 | - |
| | SCHMIERNIPPEL | MAZNICA | | | | |
| | GREASENIPPLE | МАСЛЕНКА | | | | |
| 12 | ZAVLACKA8x80 | GOUPILLE | KM000059 | 4 | 0.038 | - |
| | SPLINT | SPLINT | | | | |
| | SPLIT PIN | ШПЛИНТ | | | | |
| 13 | MATICE M20_SAMOJISTNA | ECROU | KM000111 | 10 | 0.067 | - |
| | MUTTER | NAKRETKA | | | | |
| | NUT | ГАЙКА | | | | |
| 14 | MATICE M30 | ECROU | KM000173 | 2 | 0.163 | - |
| | MUTTER | NAKRETKA | | | | |
| | NUT | ГАЙКА | | | | |
| 15 | KOLIK_12x60 | CHEVILLE | KM000205 | 4 | 0.029 | - |
| | STIFT | STIFT | | | | |
| | PIN | ШТИФТ | | | | |
| 16 | POUZDRO | BOITIER | PK141001 | 2 | 5.081 | - |
| | BUCHSE | TULEJA | | | | |
| | BUSH | БТУЛКА | | | | |
| 17 | CEPI | TOURILON | PK141002 | 2 | 1.524 | - |
| | BOLZEN | CZOP | | | | |
| | CLEVIS PIN | ЦЕП | | | | |
| 18 | VYZTUHA | ENTEROISE | RV831003 | 4 | 4.234 | - |
| | VERSTEIFUNG | UMOCNIENIE | | | | |
| | BRACE | АРМАТУРА | | | | |
| 19 | DORAZ | APPUI | T0300002 | 2 | 0.493 | - |
| | SPREIZE | PODPORA | | | | |
| | ABUTMENT | ОПОРА | | | | |

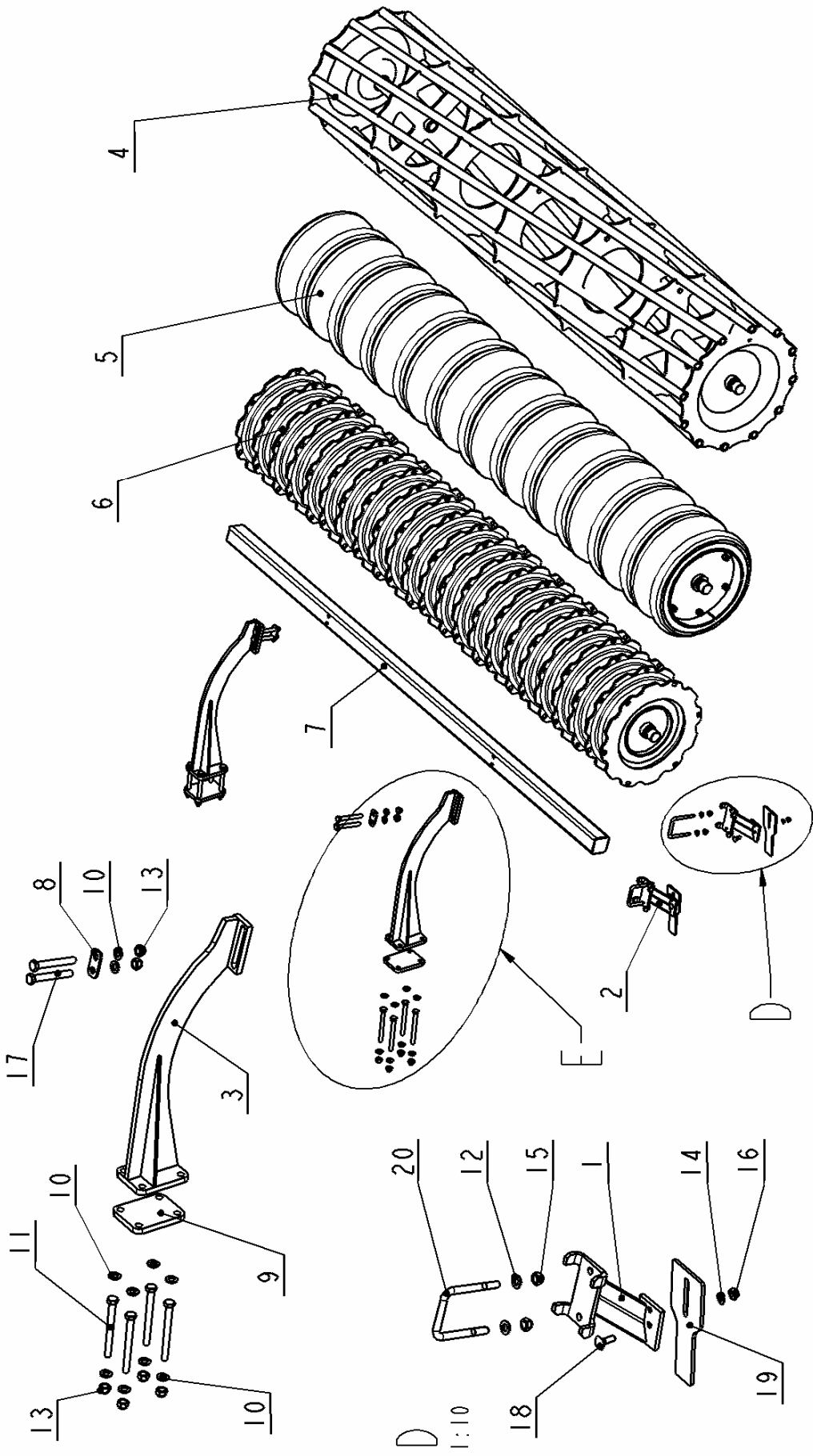
| | | |
|-----------------|----------|----------|
| PODP_VALEC_SEST | TOURILON | R0072000 |
| BOLZEN | CZOP | |
| CLEVIS PIN | LIETI | |



| PODP VALEC_SEST BOLZĚN CLEVIS PIN | | TOURILON CZOP ЦЕП | R0072000 | | | |
|--|-----------------------|----------------------------------|-----------------|---|---------|---|
| 1 | HYDROKLIPS_SADA | CLIPSE | KM010106 | 2 | 0.926 | - |
| | KLIPS | KLIPS | | | | |
| | CLIPS | КЛИПСА | | | | |
| 2 | RAM_VALCE_PODR | BORDURE | R0072100 | 1 | 229.380 | - |
| | RAHMEN | RAMA | | | | |
| | FRAME | РАМА | | | | |
| 3 | PODLOZKA 17 | RONDELLE | KM000005 | 8 | 0.012 | - |
| | UNTERLAGE | PODKLADKA | | | | |
| | WASHER | ШАИБА | | | | |
| 4 | SROUB M16 x 60 | VIS | KM000036 | 8 | 0.109 | - |
| | SCHRAUBE | SRUBA | | | | |
| | BOLT | БОЛТ | | | | |
| 5 | MATICE M16_SAMOJISTNA | ECROU | KM000057 | 8 | 0.035 | - |
| | MUTTER | NAKRETKA | | | | |
| | NUT | ГАЙКА | | | | |
| 6 | LOZISKO_LEF210_IB | PALIER | KM040015 | 2 | 3.111 | - |
| | LAGER | LOZISKO | | | | |
| | BEARING | ПОШИПНИК | | | | |

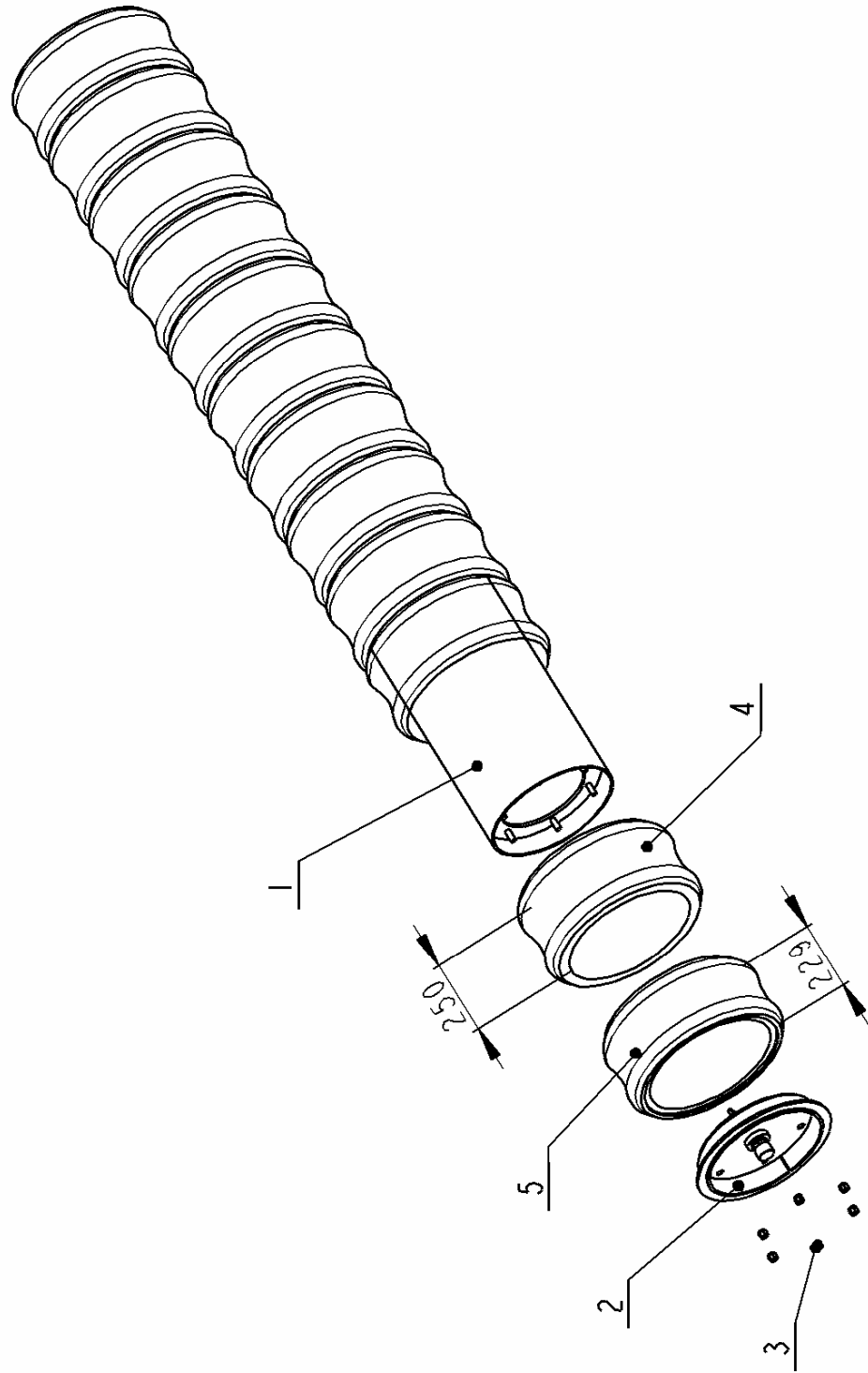
| | | |
|--------------------|----------|----------|
| POD_VALCE_3000_KAT | PORTEUR | R0000002 |
| TRAEGER | НОСНИК | |
| BRACKET | БАГАШНИК | |

E
7:100



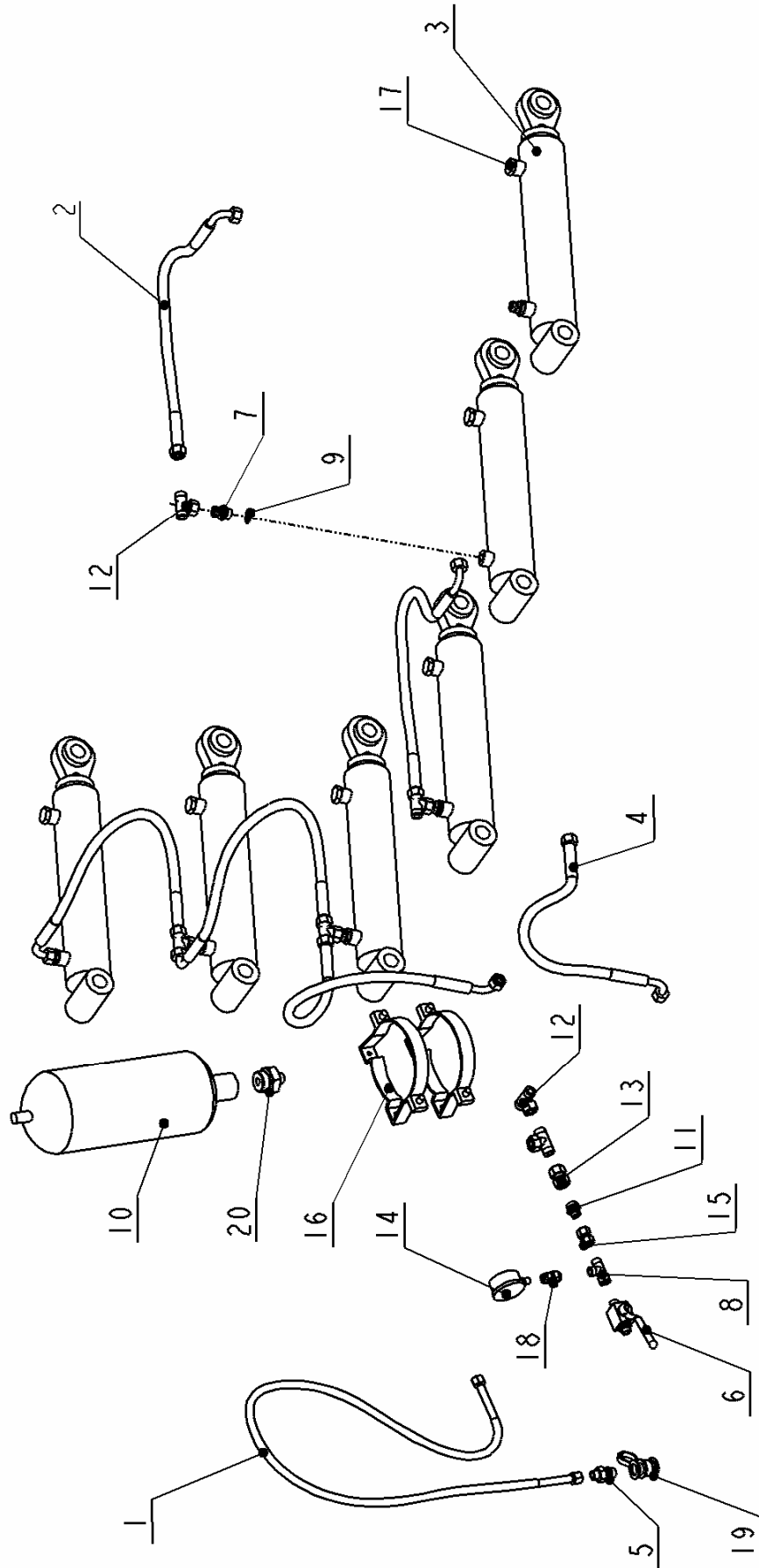
| POD VALCE_3000_KAT TRAEGER BRACKET | | PORTEUR NOSNIK БАГАШНИК | R0000002 | | | |
|---|------------------------|--|----------|----|---------|---|
| 1 | KONZOLA | CONSOLE | DB179350 | 1 | 1.576 | - |
| | KONSOLLE | KONSOLA | | | | |
| | CONSOLLE | КОНСОЛЬ | | | | |
| 2 | KONZOLA_SEST | CONSOLE | DB179520 | 22 | 2.641 | - |
| | KONSOLLE | KONSOLA | | | | |
| | CONSOLLE | КОНСОЛЬ | | | | |
| 3 | RAMENO_SEST | BRAS | DB280410 | 2 | 11.398 | - |
| | ARM | РАМИЕ | | | | |
| | LEG | ПЛЕЧО | | | | |
| 4 | DROBICI_VALEC2900 | CYLLINDRE | DV310000 | 1 | 312.632 | - |
| | ROLLE | BEBEN | | | | |
| | ROLLER | БАРАБАН | | | | |
| 5 | PNEU_VALEC3000 | CYLLINDRE | OV010000 | 1 | 385.289 | - |
| | ROLLE | BEBEN | | | | |
| | ROLLER | БАРАБАН | | | | |
| 6 | SEGMENTOVY_VALEC_29000 | CYLLINDRE | OV360000 | 1 | 433.630 | - |
| | ROLLE | BEBEN | | | | |
| | ROLLER | БАРАБАН | | | | |
| 7 | NOSIC_SKRABEK | PORTEUR | R0073110 | 1 | 37.303 | - |
| | TRAEGER | NOSNIK | | | | |
| | BRACKET | БАГАШНИК | | | | |
| 8 | PODLOZKA | RONDELLE | DB179494 | 2 | 0.080 | - |
| | UNTERLAGE | PODKLADKA | | | | |
| | WASHER | ПРОКЛАДКА | | | | |
| 9 | DESKA | PLAQUE | DB259451 | 2 | 1.921 | - |
| | PLATTE | PLYTA | | | | |
| | BOARD | ПЛИТА | | | | |
| 10 | PODLOZKA 17 | RONDELLE | KM000005 | 20 | 0.012 | - |
| | UNTERLAGE | PODKLADKA | | | | |
| | WASHER | ШАИБА | | | | |
| 11 | SROUB M16 x 160 | VIS | KM000012 | 8 | 0.290 | - |
| | SCHRAUBE | SRUBA | | | | |
| | BOLT | БОЛТ | | | | |
| 12 | PODLOZKA 13 | RONDELLE | KM000056 | 2 | 0.007 | - |
| | UNTERLAGE | PODKLADKA | | | | |
| | WASHER | ШАИБА | | | | |
| 13 | MATICE M16_SAMOJISTNA | ECROU | KM000057 | 12 | 0.035 | - |
| | MUTTER | NAKRETKA | | | | |
| | NUT | ГАЙКА | | | | |
| 14 | PODLOZKA 10,5 | RONDELLE | KM000081 | 1 | 0.004 | - |
| | UNTERLAGE | PODKLADKA | | | | |
| | WASHER | ШАИБА | | | | |
| 15 | MATICE M12_SAMOJISTNA | ECROU | KM000154 | 2 | 0.018 | - |
| | MUTTER | NAKRETKA | | | | |
| | NUT | ГАЙКА | | | | |
| 16 | MATICE M12_SAMOJISTNA | ECROU | KM000155 | 1 | 0.013 | - |
| | MUTTER | NAKRETKA | | | | |
| | NUT | ГАЙКА | | | | |
| 17 | SROUB M16 x 120 | VIS | KM000293 | 4 | 0.227 | - |
| | SCHRAUBE | SRUBA | | | | |
| | BOLT | БОЛТ | | | | |
| 18 | SROUB M10x30_KUL_HL | VIS | KM000395 | 1 | 0.034 | - |
| | SCHRAUBE | SRUBA | | | | |
| | BOLT | БОЛТ | | | | |
| 19 | STERKA | RACLE | RV076420 | 1 | 0.695 | - |
| | SPACHTEL | ZSTERKA | | | | |
| | PUTTY KNIFE | ШПАТЕЛЬ | | | | |
| 20 | TRMEN_M12 | ETRIER | TR120808 | 1 | 0.274 | - |
| | BUGEL | STRZEMIE | | | | |
| | SHACKLE | ХОМУТ | | | | |

| | | |
|----------------|-----------|----------|
| PNEU_VALEC3000 | CYLLINDRE | OV010000 |
| ROLLE | BEBEN | |
| ROLLER | БАРАБАН | |



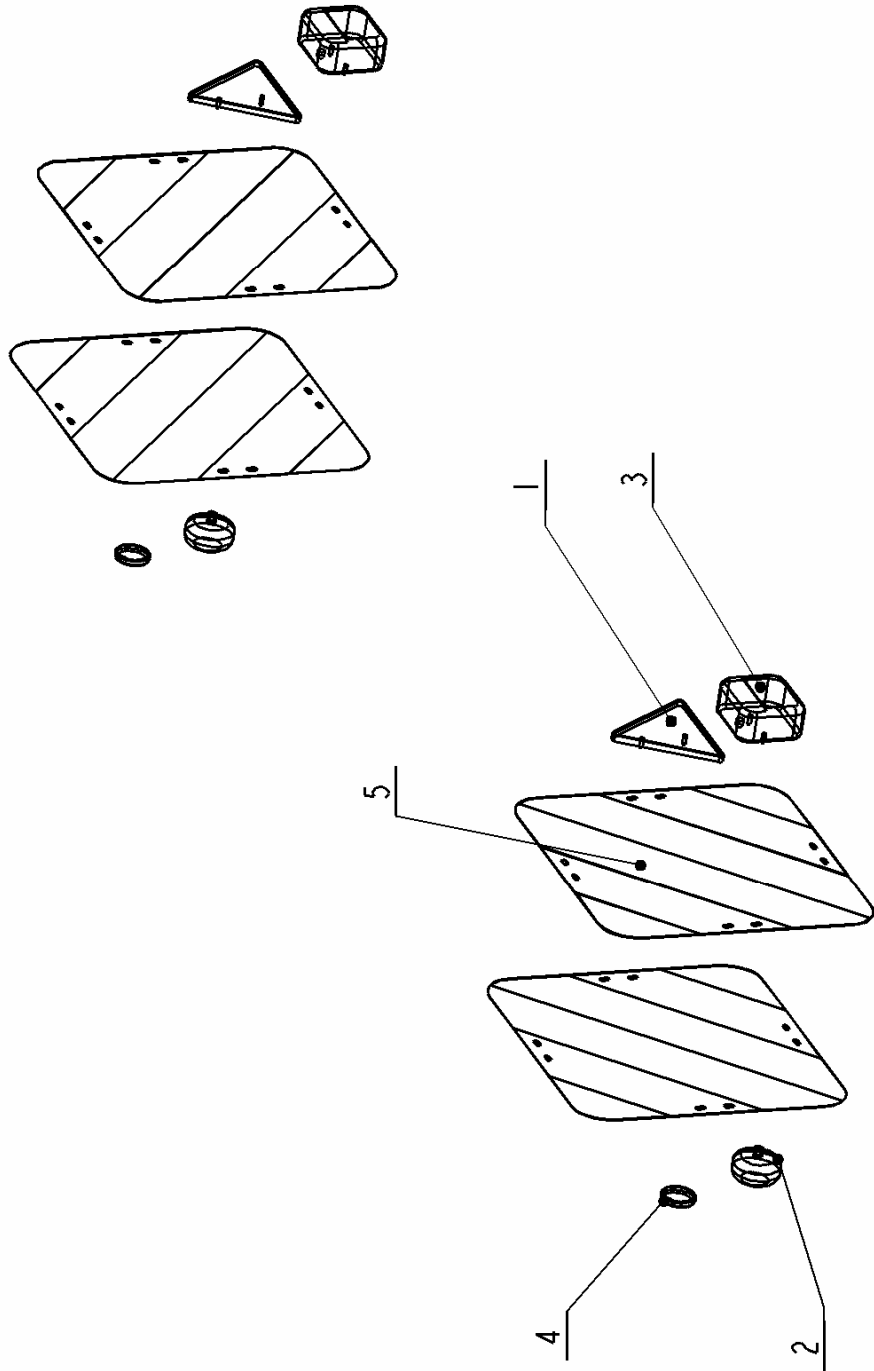
| PNEU VALEC3000 | | CYLLINDRE | OV010000 | | | |
|-----------------------|-----------------|------------------|-----------------|----|---------|---|
| ROLLE | | BEBEN | | | | |
| ROLLER | | БАРАБАН | | | | |
| 1 | VALEC_UPLNY3000 | CYLLINDRE | OV010100 | 1 | 193.104 | - |
| | ROLLE | BEBEN | | | | |
| | ROLLER | БАРАБАН | | | | |
| 2 | CELO_UPLNE | FRONT GAUCHE | OV010200 | 2 | 20.980 | - |
| | STIRN | CZELO | | | | |
| | FACE | БОРТ | | | | |
| 3 | MATICE_M16X1_5 | ECROU | KM000183 | 12 | 0.046 | - |
| | MUTTER | NAKRETKA | | | | |
| | NUT | ГАЙКА | | | | |
| 4 | PNEU_520X250 | ROUE | KM110022 | 10 | 12.731 | - |
| | KRINGEL | KOLO | | | | |
| | WHEEL | КОЛЕСО | | | | |
| 5 | PNEU_520X229 | ROUE | KM110023 | 2 | 11.186 | - |
| | KRINGEL | KOLO | | | | |
| | WHEEL | КОЛЕСО | | | | |

| | | |
|------------|------------|----------|
| HYDRAULIKA | HYDRAULIÖE | Y1030006 |
| HYDRAULIK | HYDRAULIKA | |
| HYDRAULICS | | |



| HYDRAULIKA HYDRAULIK HYDRAULICS | | HYDRAULIQE HYDRAULIKA | | Y1030006 | | |
|---------------------------------------|--------------------------|--------------------------|----------|----------|--------|---|
| 1 | HADICE_I200_U_U | TUYAU | KM010008 | 1 | 0.420 | - |
| | SCHLAUCH | PRZEWOD GIETKI | | | | |
| | HOSE | ШЛАНГ | | | | |
| 2 | HADICE_800_U_UK | TUYAU | KM010185 | 5 | 0.674 | - |
| | SCHLAUCH | PRZEWOD GIETKI | | | | |
| | HOSE | ШЛАНГ | | | | |
| 3 | HYDRAULICKY_VALEC_KOMP | HYDR.CYLINDRE | KM010196 | 6 | 15.690 | - |
| | HYDR.ZYLINDER | HYDR.CYLINDR | | | | |
| | HYDR.CYLINDER | ГИДР.ЦИЛИНДР | | | | |
| 4 | HADICE_800_U_UK | TUYAU | KM010344 | 1 | 0.674 | - |
| | SCHLAUCH | PRZEWOD GIETKI | | | | |
| | HOSE | ШЛАНГ | | | | |
| 5 | RSPOJ_ISO_12_5_M18X1_5 | JOINT | KM010037 | 1 | 0.155 | - |
| | VERBINDUNG | ZLACZE | | | | |
| | CONNECTION | СОЕДИНЕНИЕ | | | | |
| 6 | KO_KU_BKH_DN10 | GARROT | KM010074 | 1 | 0.605 | - |
| | HAHN | ZAWOR | | | | |
| | STOPCOCK | КРАН | | | | |
| 7 | HRDLO_G1_2_M22X1_5 | GOULOT | KM010082 | 6 | 0.086 | - |
| | STUTZEN | KIEILICH | | | | |
| | SOCKET | ШТУЦЕР | | | | |
| 8 | SPOJ_T_XVEL_M18X1_5 | JOINT | KM010098 | 1 | 0.109 | - |
| | VERBINDUNG | ZLACZE | | | | |
| | CONNECTION | СОЕДИНЕНИЕ | | | | |
| 9 | POUZDRO_TES_CU_27X21X1_5 | BOITIER | KM010186 | 6 | 0.003 | - |
| | BUCHSE | TULEJA | | | | |
| | BUSH | БТУЛКА | | | | |
| 10 | HYDROAKUMULATOR_6L | ACCUMULATEUR | KM010197 | 1 | 68.180 | - |
| | AKKUMULATOR | AKU | | | | |
| | ACCUMULATOR | АКУМУЛАТОР | | | | |
| 11 | SPOJ_M18_22X1_5_PRIMA | JOINT | KM010198 | 1 | 0.062 | - |
| | VERBINDUNG | ZLACZE | | | | |
| | CONNECTION | СОЕДИНЕНИЕ | | | | |
| 12 | SPOJ_T_M22X1_5_STAVIT | JOINT | KM010199 | 6 | 0.195 | - |
| | VERBINDUNG | ZLACZE | | | | |
| | CONNECTION | СОЕДИНЕНИЕ | | | | |
| 13 | SPOJ_M22X1_5_MAT | JOINT | KM010201 | 1 | 0.140 | - |
| | VERBINDUNG | ZLACZE | | | | |
| | CONNECTION | СОЕДИНЕНИЕ | | | | |
| 14 | TLAKOMER_SPG063_0_250 | BAROMETRE | KM010206 | 1 | 0.810 | - |
| | MANOMETER | MANOMETER | | | | |
| | MANOMETER | МАНОМЕТР | | | | |
| 15 | SPOJ_M18_18X1_5_2MAT | JOINT | KM010207 | 1 | 0.081 | - |
| | VERBINDUNG | ZLACZE | | | | |
| | CONNECTION | СОЕДИНЕНИЕ | | | | |
| 16 | DRZAK_AKUM_3_5 | SUPPORT | KM010214 | 2 | 0.881 | - |
| | HALTER | UCHWYT | | | | |
| | HOLDER | ДЕРЖТЕЛЬ | | | | |
| 17 | ODVZDUSNOVAC_G1_2 | VIS | KM010232 | 6 | 0.116 | - |
| | SCHRAUBE | ?RUBA | | | | |
| | BOLT | БОЛТ | | | | |
| 18 | PRIPOJ_MANOM_G1_4_M18 | JOINT | KM010251 | 1 | 0.078 | - |
| | VERBINDUNG | ZLACZE | | | | |
| | CONNECTION | СОЕДИНЕНИЕ | | | | |
| 19 | PRACH_K_ZASTR_ISO_M | COVERCLE | KM110014 | 1 | 0.145 | - |
| | DECKEL | POKRYWKA | | | | |
| | COVER | КРЬШКА | | | | |
| 20 | SPOJKA_AKU_IHV_6 | EMBAYAGE | OP200007 | 1 | 0.506 | - |
| | KUPPLUNG | SPRZEGLO | | | | |
| | COUPLING | МУФТА | | | | |

| | | |
|----------------|-----------|-----------|
| SVETELNA RAMPA | LUMINEUSE | KMI 10077 |
| LEUCHTEN RAMPE | RAMPA | |
| FOOTLIGHTS | СВЕТОВАЯ | |



1:10

| SVETELNA RAMPA LEUCHTEN RAMPE FOOTLIGHTS | | LUMINEUSE RAMPA СВЕТОВАЯ | | KMI10077 | | |
|---|----------------------|---|----------|-----------------|-------|---|
| 1 | ODRAZKA_TROJUHELNIK | REFLECHISSANT | KMI10004 | 2 | 0.105 | - |
| | KATZENAUGE | ODRAZKA | | | | |
| | REFLECTOR | ОТРА. ЗНАК | | | | |
| 2 | SVETLO_PREDNI | PROJECTEUR | KMI20007 | 2 | 0.988 | - |
| | SCHEINWERFER | LAMPA | | | | |
| | HEADLAMP | ФАРА | | | | |
| 3 | ZADNI_KONCOVE_SVETLO | PROJECTEUR | KMI20010 | 2 | 1.123 | - |
| | SCHEINWERFER | LAMPA TYLNA | | | | |
| | REAR LIGHT | ФАРА | | | | |
| 4 | ODRAZKA_BILA | REFLECHISSANT | KMI10005 | 2 | 0.151 | - |
| | KATZENAUGE | ODRAZKA | | | | |
| | REFLECTOR | ОТРА. ЗНАК | | | | |
| 5 | PLECH | TOLE | SR400051 | 4 | 1.936 | - |
| | BLECH | BLACHA | | | | |
| | SHEET | ЛИСТ МЕТАЛЛА | | | | |

