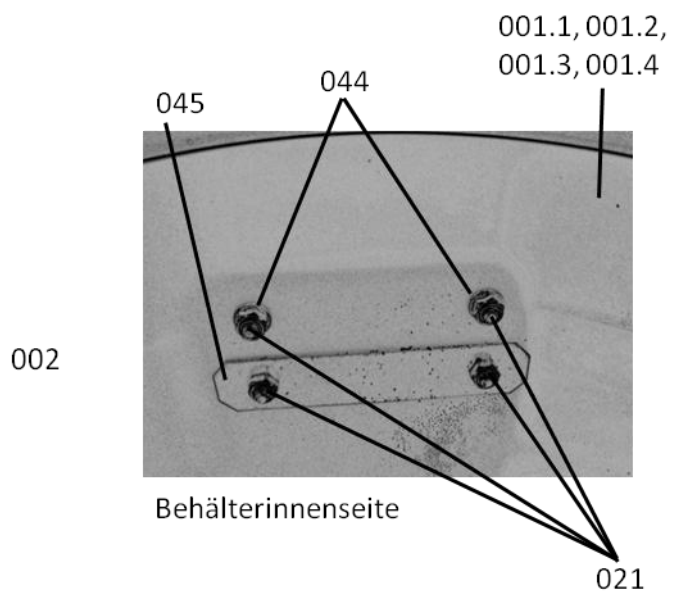
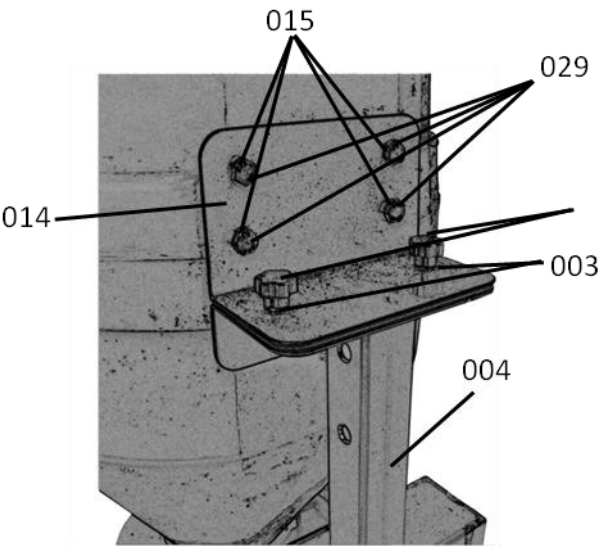
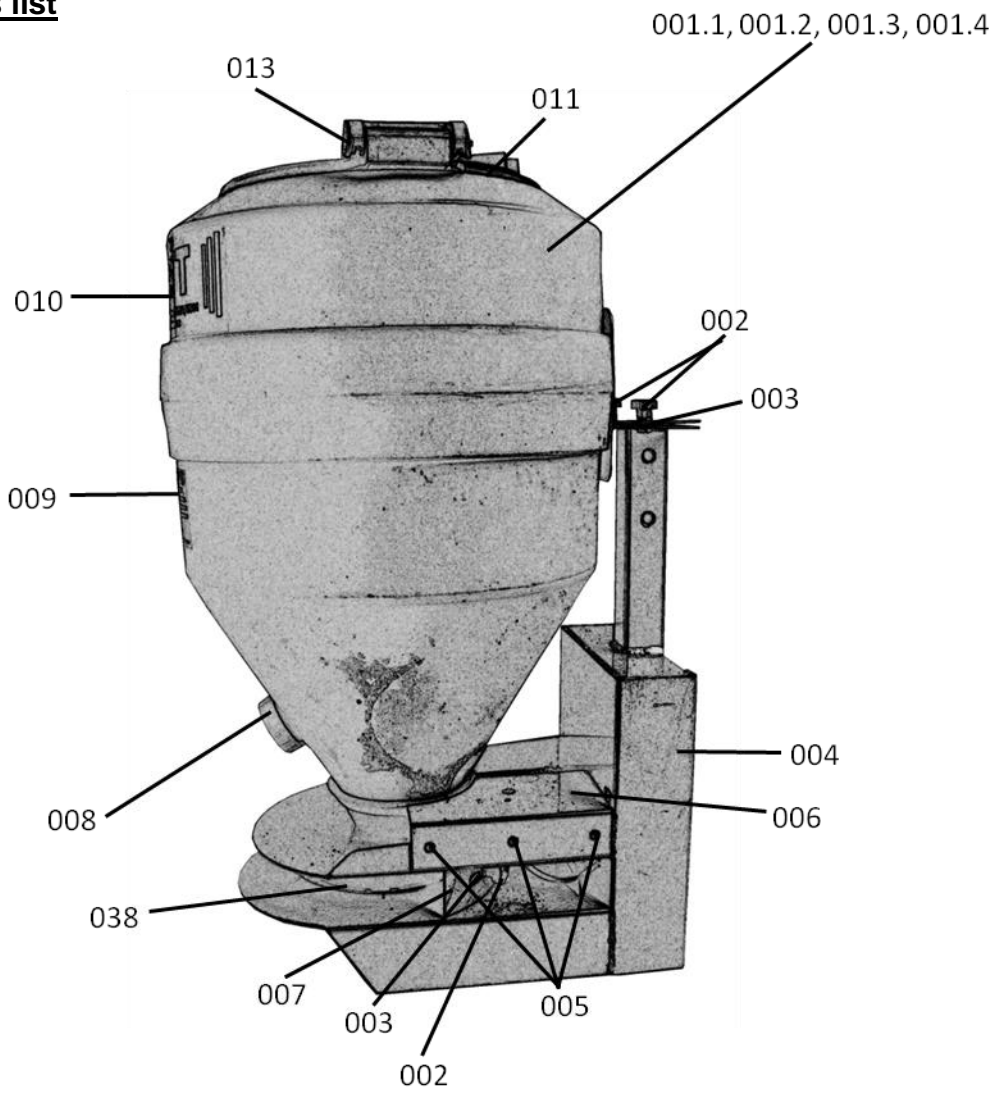
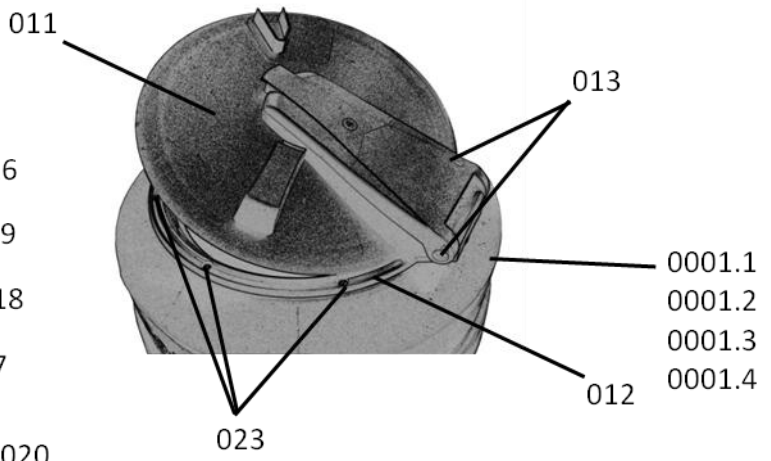
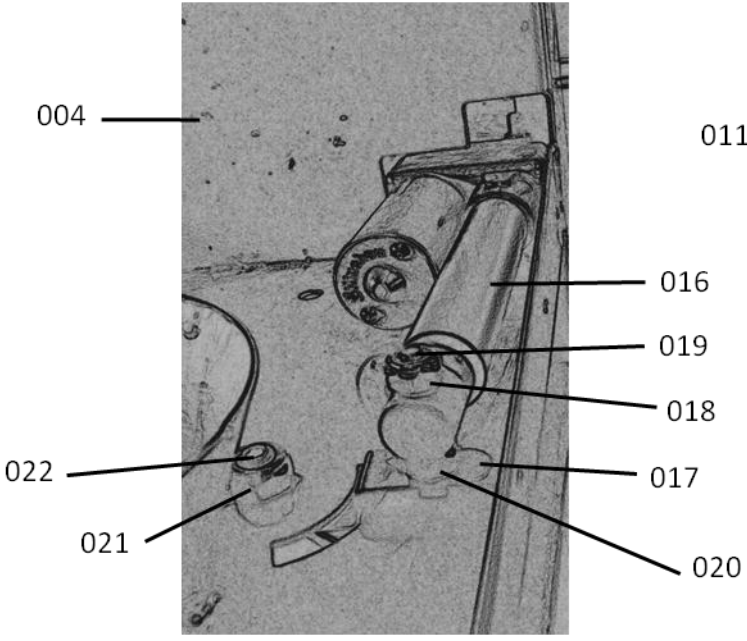
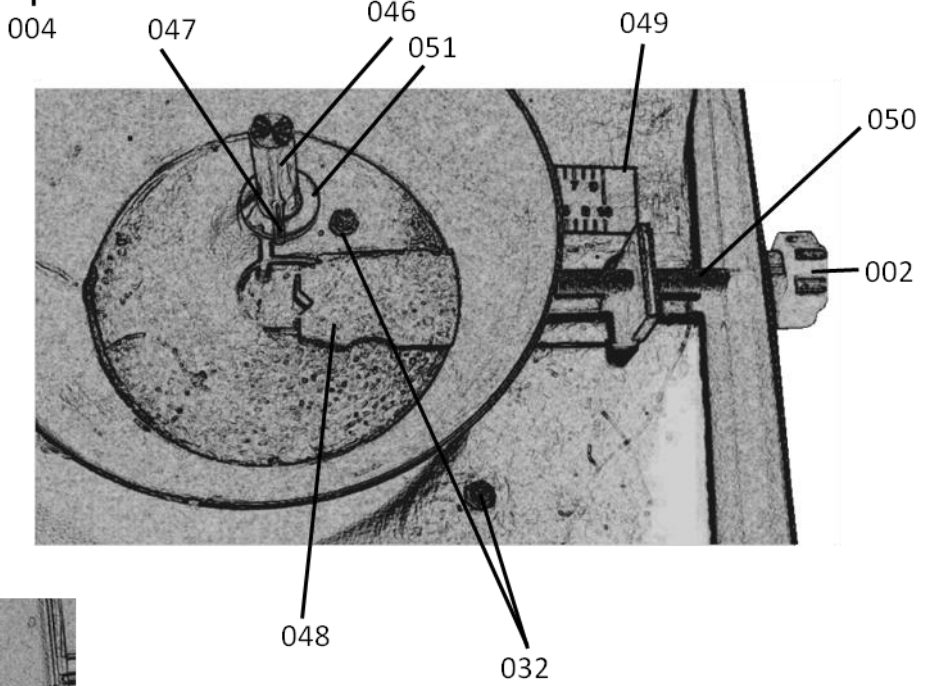
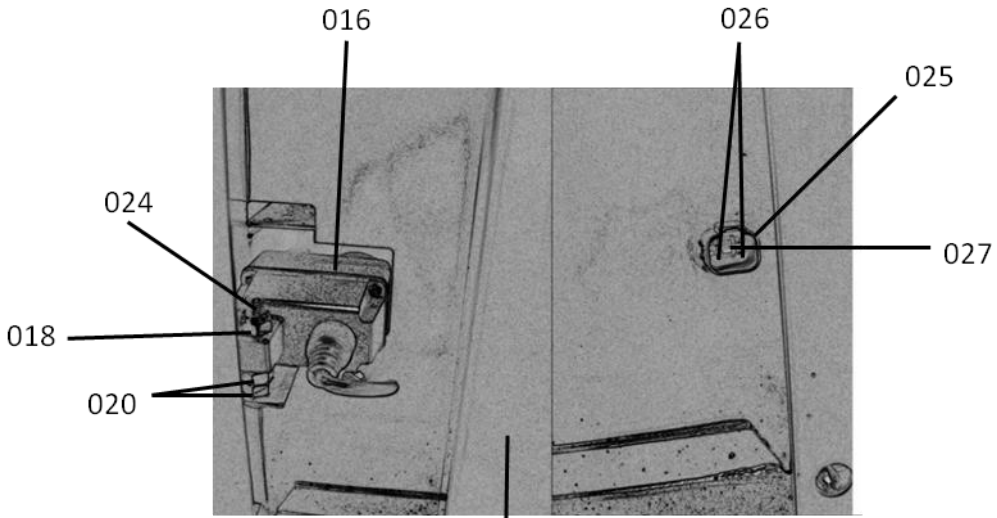
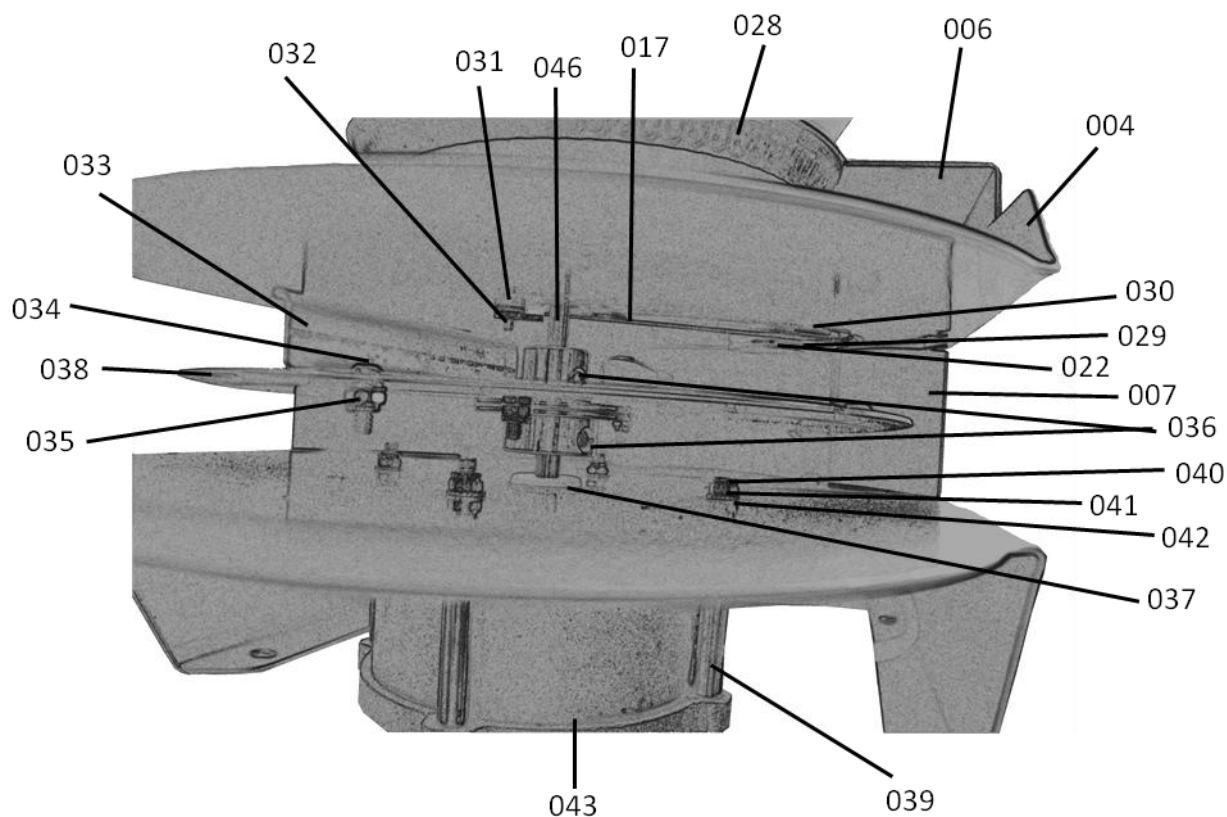


G.Spare parts list



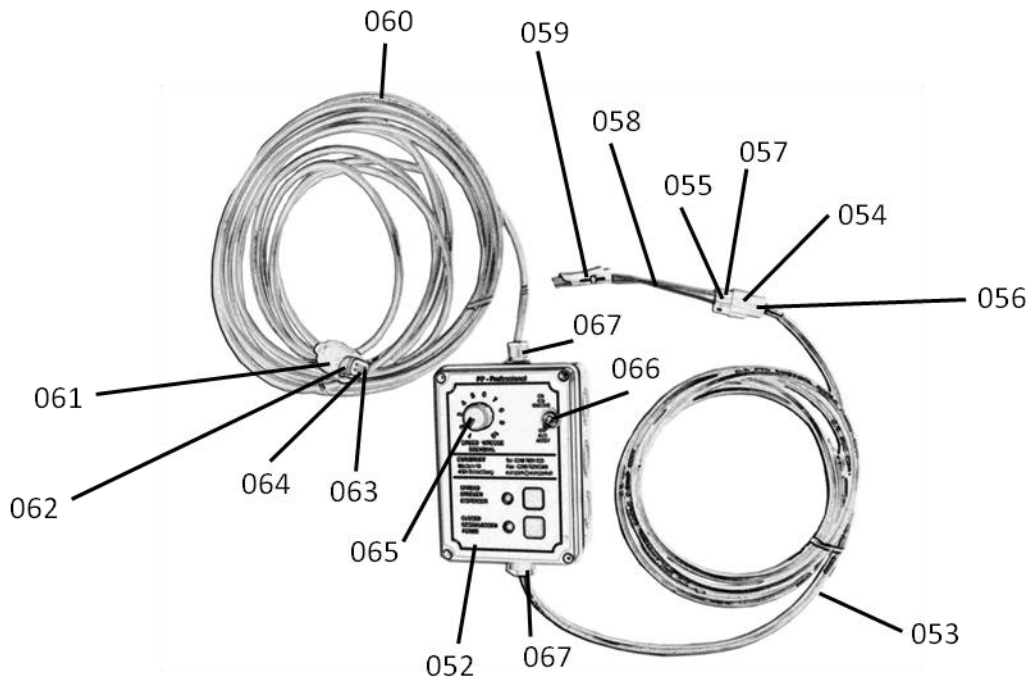




POS	BEZEICHNUNG	E-NUMMER
001.1	plastic tank 60 lit. with cover	10519901
001.2	plastic tank 90 lit. with cover	10519902
001.3	plastic tank 105 lit. with cover	10519903
001.4	plastic tank 130 lit. with cover	10519904
002	hand knob screw galvanized M8	10539901
003	washer galvanized M8	10539902
004	powder coated frame	10529901
005	sheet-metal screw M 3,9x9,5	10539903
006	cover for feeder motor	10529902
007	limit plate	10529903
008	closing for easy empty hopper rest	10519905
009	sticker for safety regulations	10559901
010	Euro-Part sticker	10559902
011	cover	10519906
012	ring for cover	10519907
013	connection ring – cover with hinge pin	10519908
014	angel plate for fastening the hopper	10529904
015	hexagon screw M 10x25 galvanized	10539904
016	feeder motor 240 N	10569901
017	feeder plate	10529905

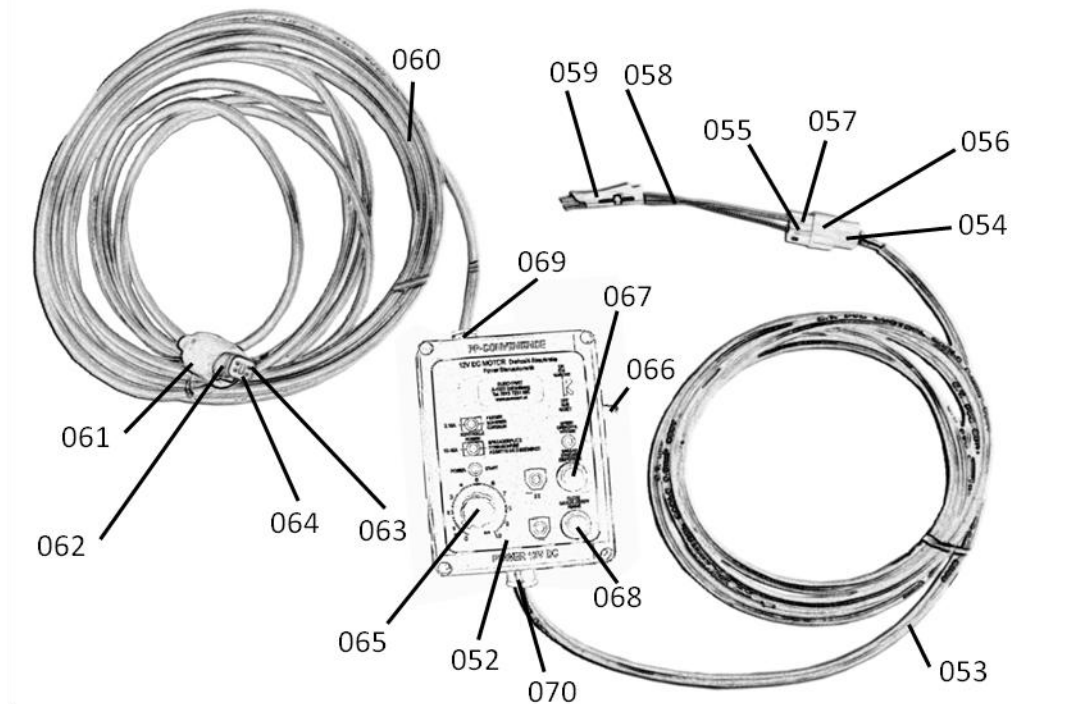
018	locknut M 8 galvanized	10539905
019	hexagon screw M 8x35 galvanized	10539906
020	screw nut M 8 galvanized	10539907
021	locknut M 10 galvanized	10539908
022	flat screw M 10x20 galvanized	10539909
023	rivets 4,8x30 for fastening the ring of the cover	10539910
024	hexagon screw M 8x45 galvanized	10539911
025	outlet	10519909
026	contact pin for 2,5 mm ²	10539912
027	fuses for contact pins	10519910
028	gum seal	10579901
029	washer M 10 galvanized	10539913
030	carriage bolt M 10 stainless steel	10539914
031	feeder track	10529906
032	hexagon screw M 4x10 galvanized	10539915
033	Z-throw plate	10529907
034	screw M 5x10 stainless steel	10539916
035	lock nut stainless steel M 5	10539917
036	grub screw	10539918
037	gum seal	10579902
038	spreader plate	10529908
039	sleeve 59 mm	10529909
040	hexagon screw M 5x80 galvanized	10539919
041	lock nut M 5 galvanized	10539920
042	washer M 5 galvanized	10539921
043	spreader plate motor	10569902
044	carriage bolt M 10 galvanized	10539922
045	steel plate for fitting hopper	10529910
046	agitator bolt	10529911
047	splint 3x40	10539923
048	amount feeder	10529912
049	amount sticker	10559903
050	headless pin	10529913
051	plastic seal	10519911

Professional:

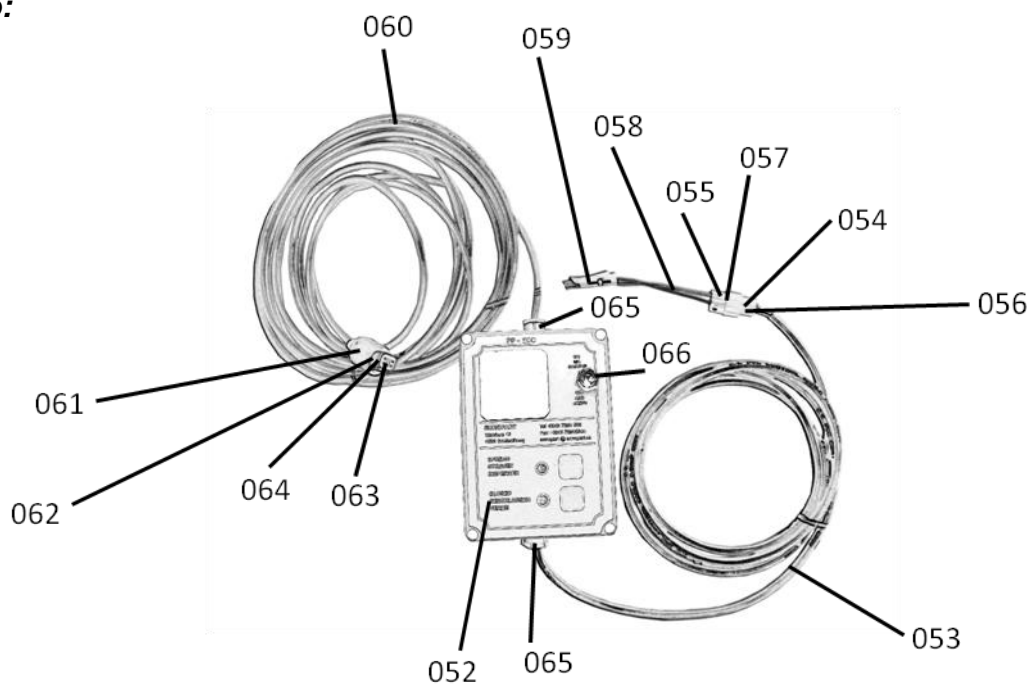


052	control unit box (incl. No. 065 and 066)	10589901
053	cable 2-pole 2x2,5 mm ²	10549901
054	outlet	10519912
055	connector	10519913
056	blade terminal	10539924
057	blade receptacle	10539925
058	short battery cable (inkl. No. 056 and 058)	10549902
059	sticker +	10559904
060	cable 4-pole 4x1,5 mm ²	10549903
061	gum cover	10579903
062	connector	10519914
063	outlets for 2,5 mm ²	10539926
064	fuse for outlets	10519915
065	speed regulation	10599902
066	on/off switch	10599901
067	cable admission PG9	10519963

Convenience:



052	control unit box (incl. No. 065, 066, 067 and 068)	10589921
053	cable 2-pole 2x2,5 mm ²	10549901
054	outlet	10519912
055	connector	10519913
056	blade terminal	10539924
057	blade receptacle	10539925
058	short battery cable (incl. No. 056 and 058)	10549902
059	sticker +	10559904
060	cable 4-pole 4x1,5 mm ²	10549903
061	gum cocer	10579903
062	connector	10519914
063	outlets for 2,5 mm ²	10539926
064	fuse for outlets	10519915
065	speed regulation	10599911
066	on/off switch	10599901
067	switch - opened (green)	10599913
068	switch - closed (red)	10599914
069	cable admission PG9	10519963
070	cable admission PG11	10519964

Eco:

052	control unit box (incl. No. 066)	10589922
053	cable 2-pole 2x2,5 mm ²	10549901
054	outlet	10519912
055	connector	10519913
056	blade terminal	10539924
057	blade receptacle	10539925
058	short battery cable (incl. No. 056 and 058)	10549902
059	sticker +	10559904
060	cable 4-pole 4x1,5 mm ²	10549903
061	gum cover	10579903
062	sticker	10519914
063	outlets for 2,5 mm ²	10539926
064	fuses for outlets	10519915
065	cable admission PG9	10519963
066	on/off switch	10599901